



In-house development

Own manufacturing

Sole distributor in Germany

Working with distributors worldwide

TAS
SCHÄFER



Internal Locking Devices
Shaft-Hub-Connection

Overview



3003 plus/ 3003

For low torque transmission
For medium bending moments
Short installation length



3006 plus/ 3006

For medium torque transmission
For medium bending moments
Short installation length



3012

For very high torque transmission
For high bending moments
Wide installation length



3014

For high torque transmission
For medium bending moments
Wide installation length



RB, 3015, 3015.1

For medium torque transmission
For medium bending moments
Average installation length



3015 DK

For high torque transmission
For medium bending moments
Average installation length



3015.1 DK

For medium torque transmission
For medium bending moments
Average installation length



3020

For high torque transmission
Low bending moment takes place via the hub
Short installation length

Overview



4006

For very high torque transmission
For very high bending moments
Wide installation length (Especially for pulley)



8006 (Locking elements)

For low torque transmission
Small installation space



TAS 110

For medium torque transmission
For medium bending moments
Small hub diameter



TAS 130, TAS 131

For medium torque transmission
For medium bending moments
Average installation length

Content	Page
Overview	2
Description of function	6
Basics-design	7
Basics-Calculation	8
Hub-Calculation	10
3003 plus	14
3003	16
3006 plus	18
3006	20
3012	22
3014	24
RB	26
3015	28
3015.1	30
3015 DK	32
3015.1 DK	34
3020	36



Content	Page
4006	40
8006	44
TAS 110	48
TAS 130	50
TAS 131	52
Product questionnaire	54
Special design	55
Further products ...	57

Description of function

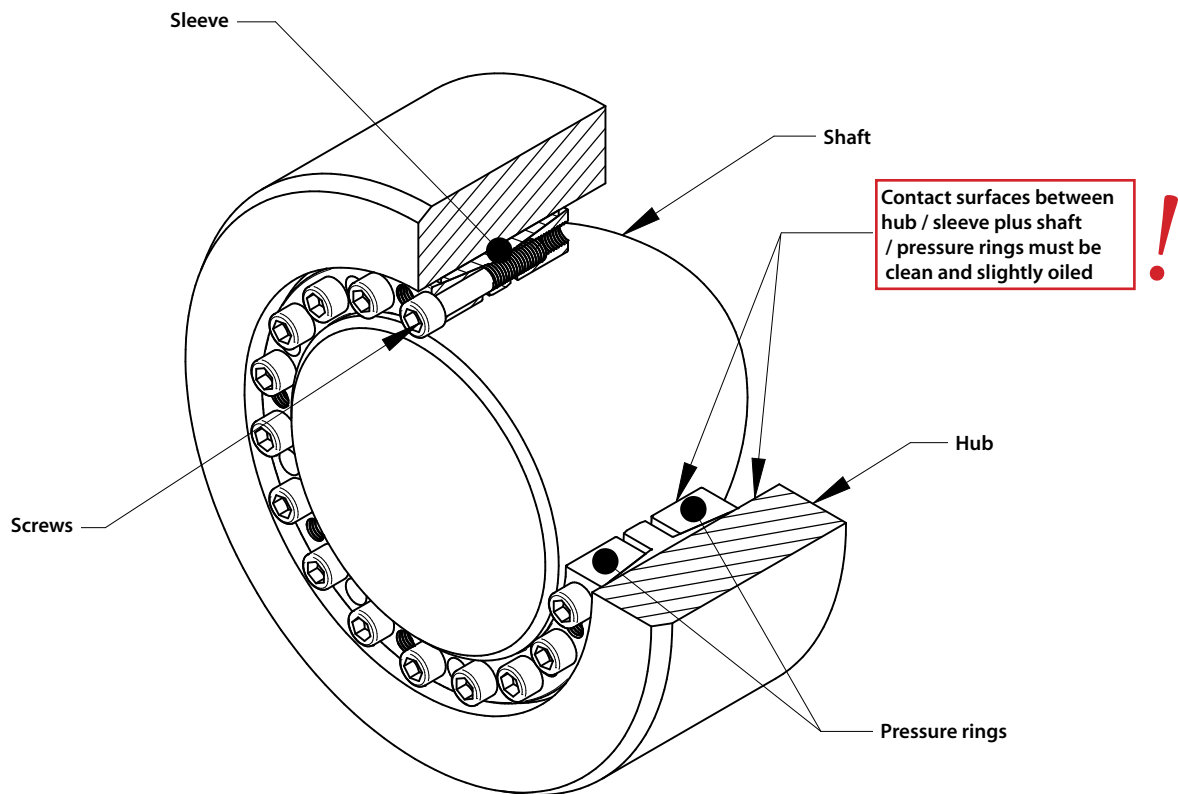
Locking devices of the types TAS ...

The main function of a locking assembly is the safe connection of a shaft to a hub by means of friction. For example, between a shaft and a gear hub. The locking assembly creates a play-free connection by expanding between the shaft and the hub. This type of connection is used mainly for transmitting torque.

It is installed by inserting the locking assembly between the components and the subsequent tightening of the screws. By using conical surfaces, the outer diameter increases and the inner diameter reduces. Radial pressure is built up. The clamping forces are provided and controlled by the screws (force-controlled). This allows the direct compensation of the clearance between shaft and hub.

The supplied locking devices are ready for installation.

To achieve proper operation with a sufficiently high coefficient of friction, the contact surfaces between shaft and hub must be clean and slightly oiled. Machine oil must be used as a lubricant. The functional surfaces of the locking assembly, threads and screw heads are prepared at the factory with oil film.



Example: TAS-3015

Product data

A detailed installation manual is available on our Homepage.

Data sheets

- Contact us if a datasheet for an individual product is required.

CAD data

- We provide CAD data for our products in various formats. These can be found online at www.traceparts.com. If the desired product is not available, please contact us directly.

Basics-design

Clamping length for locking devices

Pressure rings and bush of a locking device must be fully supported on the shaft and in the hub bore.

Tightening torque of the clamping screws

The tightening torque values for screws given in the tables are based on a friction $\mu_{ges} = 0,14$. Basically the specified tightening torque M_A can be reduced to M_{Agew} , to reduce the stresses in the components. When using soft materials, as well as bored shafts, it might become necessary. By reducing M_A , the pressures of P_N and P_W and the transmittable torque M_t are also reduced. The ratio is approximately proportional and can be converted accordingly (approximately):

$$M = \frac{M_{Agew}}{M_A} M_t \quad \text{and} \quad p_{N,W} = \frac{M_{Agew}}{M_A} p_{N,W}$$

(new) (new)

The tightening torques can not be reduced arbitrary, therefore apply the following limits:

$$M_{Agew} \geq \begin{pmatrix} \text{Class 8.8 : } 0,85 M_A \\ \text{Class 10.9 : } 0,70 M_A \\ \text{Class 12.9 : } 0,60 M_A \end{pmatrix} \leq M_A$$

Locking assemblies of type RB, 3015.1 and 3015.1 DK are excluded because they are already provided with reduced values.

Tolerances and surfaces

The values found in the product data, base on surface quality and tolerances according to the tables there. These values are given as recommendations.

Higher surface roughness reduces the transmissible torque and promote unwanted settlings. Larger clearance also reduces the transmissible torque.

In case of significantly differnt values, please contact us!

The calculation of the values, given in the catalog, are based on the following assumptions and simplification:

Transmissible torque

A connection by locking assembly is capable of transmitting torque, bending moment and axial force. Alternatively, the transmissible torque M_{max} is specified in the product data. If such loads occur simultaneously, they must be added vectorially to form a resultant moment M_{res} . For the resultant moment applies:

$$M_{res} \leq M_{max} \quad (M_{max} = M_t)$$

At different load cases, these are individually checked against M_{max} !

M_{res} is determined for combined load as follows:

$$M_{res} = \sqrt{M_T^2 + M_B^2 + (F_{AX} \frac{d_W}{2})^2}$$

*Basically the maximum bending moment corresponds to the maximum transmissible torque. A limitation is due to the change of the surface pressure at the edges of the connection, or by the higher loading of the locking assembly itself. Appropriate limits are found under each product. (See also under „bending moment“)

This results in the following relationships:

Torque only:

The maximum torque is equivalent to M_{max} .

Bending moment only:

The Bending moment coresponds with the indicated portion of M_T , on the product page.

Axial force only:

The maximum axial force is $M_{max} \frac{2}{d_W}$.

Depending on the application, additional safety factors need to be considered for the individual loads!

Basics-Calculation

Radial force

Radial forces cause a change in pressure at the contact surface. In the force direction, the pressure increases on one side and is reduced accordingly on the other side. This depends on the amount of radial force and the rigidity of the parts. The following equation can be used to approximate the pressure change:

$$\Delta p_w = 0,75 \frac{F_{AX}}{d_w l_k}$$

The modified pressures $p_{wmin, max}$ results from the following equation:

$$p_{wmin, max} = p_w \pm \Delta p_w$$

The minimum pressure p_{wmin} should be at least 30 N/mm² to avoid gap corrosion. In addition, the material must be selected for a maximum pressure p_{wmax} .

Bending moment

Here the situation is similar to the radial forces. The pressure is greatest at the ends of the connection in this case. Again, the amount and stiffness are important. This leads to the following approximation:

$$\Delta p_{w, N} = 4,5 \frac{M_B}{d_w l_k^2}$$

As before, the modified pressures results from:

$$p_{w, N, min, max} = p_{w, N} \pm \Delta p_{w, N}$$

The conditions for minimum and maximum pressure are the same as before. It should be noted that there could be a change in pressure due to radial force!

Shaft and hub calculation

The catalogue contains information about the generated surface pressure of each locking assembly. Due to the generated radial pressure the hub is deformed, whereupon resilience of the shaft and surface smoothing still has to be added. For solid shafts resilience is negligible but has to be considered for hollow shafts. They are showing greater deformation and therefore greater stresses. This should be considered in addition to the other loads.

The equivalent stresses in the hub can be determined according to various hypotheses such as GEH. On the following pages you will find tables showing required hub sizes, taking pressure, shape and yield strength of hub material into consideration. The shown values for hub sizes are only valid for a solid hub cross-section! The calculation is simplified, includes no additional safety and covers the range of static loads only. Various calculation methods for different cases can be found in mechanical-engineering literature. Specialized software allows the same. For complex geometry reliable results can be determined only by verified FEA.

The minimum yield strength of solid shafts should be at least 2 * P_w , the yield point of hub material at least 1 * P_N . These values are for orientation only, represent minimum requirements and cannot replace calculations for each application! They also do not release from doing so!

Notch effect

Generally there is a notch effect on the components, caused by the radial pressure of the locking device. This depends mainly on the applied pressure. On the shaft the notch effect is usually much higher than at the hub, as the pressure is higher here. The factors are in the range of 1.2 to 1.8 at the shaft. This can, for example, be mitigated by appropriate design details, such as relief notches.

Bore in the shaft (Hollow shaft)

A large bore d_b in the shaft or use of a hollow shaft, reduces the stiffness of this component against radial pressure. Basically, a bore should not be greater than 0,3 d_w .



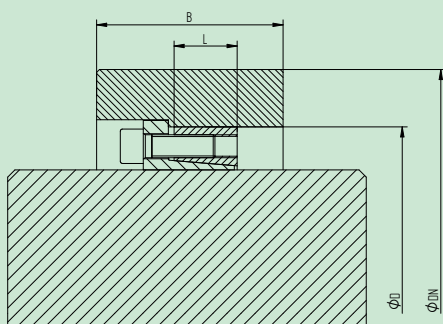
Hub-Calculation

The K-Values can directly be taken from the tables or can be calculated as follows:

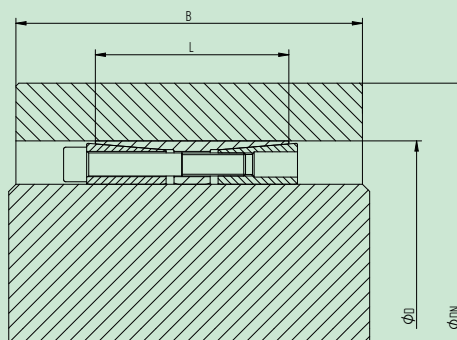
$$D_N \geq D \cdot K \quad K = \sqrt{\frac{\sigma_{02} + (C \cdot P_N)}{\sigma_{02} - (C \cdot P_N)}}$$

By applying of TAS Locking assemblies a tension is generated by the surface pressure P_N between locking assembly and hub. The required hub diameter is calculated using the same formula, as used for thick-walled hollow cylinder. The real tensions depend on the hub length and shape with respect to the length L of the locking assemblies. Depending on the type of hub, the factor C is taken into account for calculation.

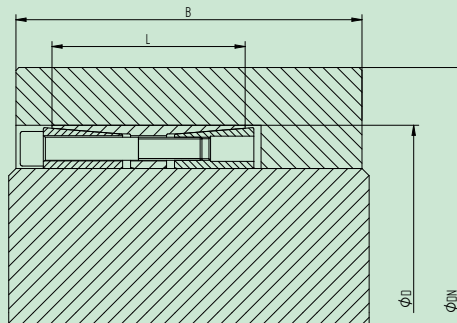
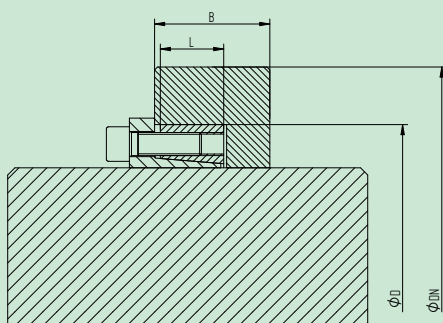
$B \geq 2L$



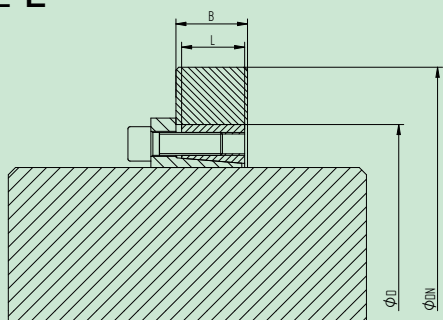
$C = 0,6$



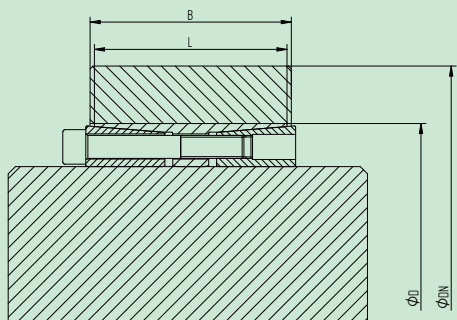
$C = 0,8$



$B \geq L$



$C = 1,0$



Hub Outside Diameter

K-Factor for hubtype with C = 0,6

p_N N/mm ²	Yield strenght hubmaterial (N/mm ²)										
	150	180	210	240	270	300	330	360	390	420	450
50	1,225	1,184	1,155	1,134	1,119	1,106	1,096	1,088	1,081	1,075	1,070
55	1,251	1,204	1,172	1,149	1,131	1,117	1,106	1,097	1,089	1,082	1,077
60	1,278	1,225	1,190	1,164	1,144	1,129	1,116	1,106	1,097	1,090	1,084
65	1,305	1,247	1,207	1,179	1,157	1,140	1,127	1,115	1,106	1,098	1,091
70	1,334	1,269	1,225	1,194	1,170	1,152	1,137	1,125	1,115	1,106	1,099
75	1,363	1,291	1,244	1,209	1,184	1,164	1,148	1,134	1,123	1,114	1,106
80	1,394	1,315	1,262	1,225	1,197	1,176	1,158	1,144	1,132	1,122	1,114
85	1,425	1,339	1,282	1,241	1,211	1,188	1,169	1,154	1,141	1,130	1,121
90	1,458	1,363	1,301	1,258	1,225	1,200	1,180	1,164	1,150	1,139	1,129
95	1,492	1,389	1,322	1,274	1,240	1,213	1,191	1,174	1,159	1,147	1,136
100	1,528	1,415	1,342	1,291	1,254	1,225	1,202	1,184	1,168	1,155	1,144
105	1,565	1,442	1,363	1,309	1,269	1,238	1,214	1,194	1,177	1,164	1,152
110	1,604	1,469	1,385	1,327	1,284	1,251	1,225	1,204	1,187	1,172	1,160
115	1,645	1,498	1,407	1,345	1,299	1,264	1,237	1,215	1,196	1,181	1,168
120	1,688	1,528	1,430	1,363	1,315	1,278	1,249	1,225	1,206	1,190	1,176
125	1,733	1,559	1,453	1,382	1,331	1,291	1,261	1,236	1,215	1,198	1,184
130	1,780	1,591	1,478	1,402	1,347	1,305	1,273	1,247	1,225	1,207	1,192
135	1,830	1,624	1,502	1,421	1,363	1,319	1,285	1,258	1,235	1,216	1,200
140	1,883	1,659	1,528	1,442	1,380	1,334	1,298	1,269	1,245	1,225	1,208
145	1,940	1,695	1,554	1,462	1,397	1,348	1,310	1,280	1,255	1,234	1,217
150	-	1,733	1,582	1,484	1,415	1,363	1,323	1,291	1,265	1,244	1,225
155	-	1,772	1,610	1,506	1,433	1,378	1,336	1,303	1,276	1,253	1,234
160	-	1,813	1,639	1,528	1,451	1,394	1,350	1,315	1,286	1,262	1,242
165	-	1,856	1,669	1,551	1,469	1,409	1,363	1,327	1,297	1,272	1,251
170	-	1,902	1,700	1,575	1,489	1,425	1,377	1,339	1,308	1,282	1,260
175	-	1,950	1,733	1,599	1,508	1,442	1,391	1,351	1,318	1,291	1,269
180	-	-	1,766	1,624	1,528	1,458	1,405	1,363	1,329	1,301	1,278
185	-	-	1,801	1,650	1,548	1,475	1,420	1,376	1,341	1,311	1,287
190	-	-	1,838	1,677	1,569	1,492	1,434	1,389	1,352	1,322	1,296
195	-	-	1,876	1,704	1,591	1,510	1,449	1,402	1,363	1,332	1,305
200	-	-	1,915	1,733	1,613	1,528	1,464	1,415	1,375	1,342	1,315
205	-	-	1,957	1,762	1,636	1,546	1,480	1,428	1,387	1,353	1,324
210	-	-	-	1,792	1,659	1,565	1,496	1,442	1,399	1,363	1,334
215	-	-	-	1,824	1,683	1,584	1,512	1,455	1,411	1,374	1,344
220	-	-	-	1,856	1,707	1,604	1,528	1,469	1,423	1,385	1,353
225	-	-	-	1,890	1,733	1,624	1,545	1,484	1,435	1,396	1,363
230	-	-	-	1,926	1,759	1,645	1,562	1,498	1,448	1,407	1,373
235	-	-	-	1,962	1,785	1,666	1,579	1,513	1,461	1,419	1,383
240	-	-	-	-	1,813	1,688	1,597	1,528	1,474	1,430	1,394
245	-	-	-	-	1,842	1,710	1,615	1,543	1,487	1,442	1,404
250	-	-	-	-	1,871	1,733	1,633	1,559	1,500	1,453	1,415

Hub Outside Diameter

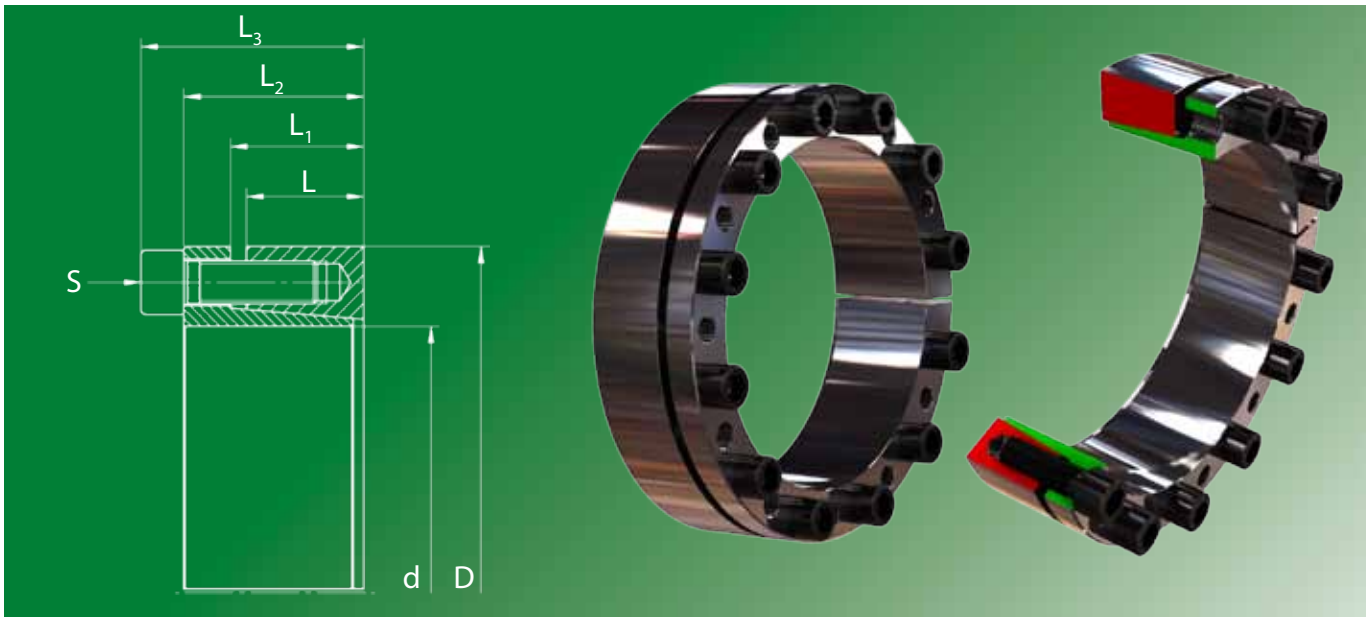
K-Factor for hubtype with C = 0,8											
p_N N/mm ²	Yield strenght hubmaterial (N/mm ²)										
	150	180	210	240	270	300	330	360	390	420	450
50	1,315	1,254	1,213	1,184	1,161	1,144	1,130	1,119	1,109	1,101	1,094
55	1,353	1,284	1,237	1,204	1,179	1,160	1,144	1,131	1,120	1,111	1,104
60	1,394	1,315	1,262	1,225	1,197	1,176	1,158	1,144	1,132	1,122	1,114
65	1,436	1,347	1,288	1,247	1,216	1,192	1,173	1,157	1,144	1,133	1,124
70	1,481	1,380	1,315	1,269	1,235	1,208	1,187	1,170	1,156	1,144	1,134
75	1,528	1,415	1,342	1,291	1,254	1,225	1,202	1,184	1,168	1,155	1,144
80	1,578	1,451	1,370	1,315	1,274	1,242	1,218	1,197	1,181	1,166	1,154
85	1,631	1,489	1,400	1,339	1,294	1,260	1,233	1,211	1,193	1,178	1,165
90	1,688	1,528	1,430	1,363	1,315	1,278	1,249	1,225	1,206	1,190	1,176
95	1,748	1,569	1,461	1,389	1,336	1,296	1,265	1,240	1,219	1,201	1,186
100	1,813	1,613	1,494	1,415	1,358	1,315	1,281	1,254	1,232	1,213	1,197
105	1,883	1,659	1,528	1,442	1,380	1,334	1,298	1,269	1,245	1,225	1,208
110	1,960	1,707	1,563	1,469	1,403	1,353	1,315	1,284	1,259	1,237	1,220
115	2,043	1,759	1,600	1,498	1,427	1,373	1,332	1,299	1,272	1,250	1,231
120	2,135	1,813	1,639	1,528	1,451	1,394	1,350	1,315	1,286	1,262	1,242
125	2,237	1,871	1,679	1,559	1,476	1,415	1,368	1,331	1,300	1,275	1,254
130	2,350	1,934	1,722	1,591	1,502	1,436	1,386	1,347	1,315	1,288	1,266
135	2,479	2,000	1,766	1,624	1,528	1,458	1,405	1,363	1,329	1,301	1,278
140	2,626	2,073	1,813	1,659	1,555	1,481	1,424	1,380	1,344	1,315	1,290
145	2,798	2,151	1,863	1,695	1,584	1,504	1,444	1,397	1,359	1,328	1,302
150	-	2,237	1,915	1,733	1,613	1,528	1,464	1,415	1,375	1,342	1,315
155	-	2,330	1,971	1,772	1,643	1,553	1,485	1,433	1,391	1,356	1,327
160	-	2,434	2,031	1,813	1,675	1,578	1,506	1,451	1,407	1,370	1,340
165	-	2,550	2,094	1,856	1,707	1,604	1,528	1,469	1,423	1,385	1,353
170	-	2,680	2,163	1,902	1,741	1,631	1,550	1,489	1,440	1,400	1,367
175	-	2,829	2,237	1,950	1,776	1,659	1,573	1,508	1,457	1,415	1,380
180	-	-	2,316	2,000	1,813	1,688	1,597	1,528	1,474	1,430	1,394
185	-	-	2,403	2,054	1,852	1,717	1,621	1,548	1,492	1,446	1,408
190	-	-	2,499	2,111	1,892	1,748	1,646	1,569	1,510	1,461	1,422
195	-	-	2,604	2,172	1,934	1,780	1,672	1,591	1,528	1,478	1,436
200	-	-	2,721	2,237	1,978	1,813	1,698	1,613	1,547	1,494	1,451
205	-	-	2,852	2,306	2,024	1,848	1,726	1,636	1,566	1,511	1,466
210	-	-	-	2,381	2,073	1,883	1,754	1,659	1,586	1,528	1,481
215	-	-	-	2,462	2,124	1,921	1,783	1,683	1,606	1,546	1,496
220	-	-	-	2,550	2,179	1,960	1,813	1,707	1,627	1,563	1,512
225	-	-	-	2,646	2,237	2,000	1,844	1,733	1,648	1,582	1,528
230	-	-	-	2,752	2,298	2,043	1,877	1,759	1,670	1,600	1,544
235	-	-	-	2,869	2,364	2,088	1,910	1,785	1,692	1,619	1,561
240	-	-	-	-	2,434	2,135	1,945	1,813	1,715	1,639	1,578
245	-	-	-	-	2,510	2,184	1,982	1,842	1,738	1,659	1,595
250	-	-	-	-	2,592	2,237	2,020	1,871	1,763	1,679	1,613

Hub Outside Diameter

K-Factor for hubtype with C = 1,0

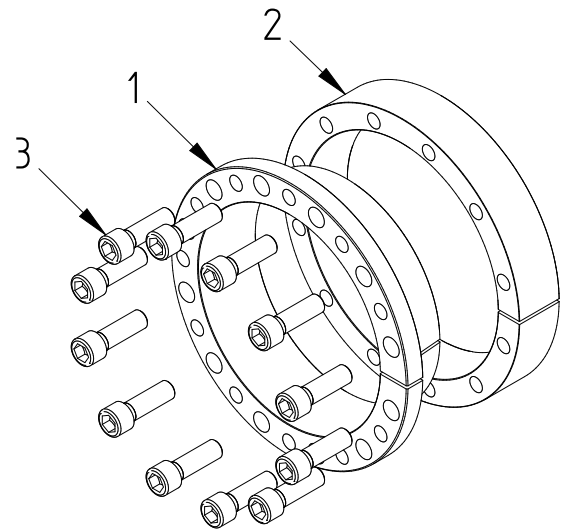
p_N N/mm ²	Yield strenght hubmaterial (N/mm ²)										
	150	180	210	240	270	300	330	360	390	420	450
50	1,415	1,331	1,275	1,236	1,207	1,184	1,165	1,151	1,138	1,128	1,119
55	1,469	1,372	1,308	1,263	1,230	1,204	1,184	1,167	1,153	1,141	1,131
60	1,528	1,415	1,342	1,291	1,254	1,225	1,202	1,184	1,168	1,155	1,144
65	1,591	1,460	1,378	1,321	1,279	1,247	1,221	1,201	1,184	1,169	1,157
70	1,659	1,508	1,415	1,351	1,304	1,269	1,241	1,218	1,199	1,184	1,170
75	1,733	1,559	1,453	1,382	1,331	1,291	1,261	1,236	1,215	1,198	1,184
80	1,813	1,613	1,494	1,415	1,358	1,315	1,281	1,254	1,232	1,213	1,197
85	1,902	1,671	1,537	1,449	1,386	1,339	1,302	1,273	1,248	1,228	1,211
90	2,000	1,733	1,582	1,484	1,415	1,363	1,323	1,291	1,265	1,244	1,225
95	2,111	1,799	1,629	1,520	1,445	1,389	1,345	1,311	1,283	1,259	1,240
100	2,237	1,871	1,679	1,559	1,476	1,415	1,368	1,331	1,300	1,275	1,254
105	2,381	1,950	1,733	1,599	1,508	1,442	1,391	1,351	1,318	1,291	1,269
110	2,550	2,036	1,789	1,641	1,542	1,469	1,415	1,372	1,337	1,308	1,284
115	2,752	2,131	1,850	1,686	1,577	1,498	1,439	1,393	1,356	1,325	1,299
120	3,000	2,237	1,915	1,733	1,613	1,528	1,464	1,415	1,375	1,342	1,315
125	3,317	2,355	1,986	1,782	1,651	1,559	1,490	1,437	1,395	1,360	1,331
130	3,742	2,490	2,062	1,835	1,691	1,591	1,517	1,460	1,415	1,378	1,347
135	4,359	2,646	2,145	1,890	1,733	1,624	1,545	1,484	1,435	1,396	1,363
140	5,386	2,829	2,237	1,950	1,776	1,659	1,573	1,508	1,457	1,415	1,380
145	7,682	3,048	2,337	2,014	1,823	1,695	1,603	1,533	1,478	1,434	1,397
150	-	3,317	2,450	2,082	1,871	1,733	1,633	1,559	1,500	1,453	1,415
155	-	3,661	2,577	2,156	1,923	1,772	1,665	1,585	1,523	1,474	1,433
160	-	4,124	2,721	2,237	1,978	1,813	1,698	1,613	1,547	1,494	1,451
165	-	4,796	2,887	2,324	2,036	1,856	1,733	1,641	1,571	1,515	1,469
170	-	5,917	3,083	2,421	2,098	1,902	1,768	1,671	1,596	1,537	1,489
175	-	8,427	3,317	2,527	2,165	1,950	1,806	1,701	1,622	1,559	1,508
180	-	-	3,606	2,646	2,237	2,000	1,844	1,733	1,648	1,582	1,528
185	-	-	3,975	2,780	2,314	2,054	1,885	1,765	1,675	1,605	1,548
190	-	-	4,473	2,933	2,398	2,111	1,928	1,799	1,703	1,629	1,569
195	-	-	5,197	3,110	2,490	2,172	1,973	1,835	1,733	1,654	1,591
200	-	-	6,404	3,317	2,592	2,237	2,020	1,871	1,763	1,679	1,613
205	-	-	9,111	3,566	2,704	2,306	2,069	1,910	1,794	1,705	1,636
210	-	-	-	3,873	2,829	2,381	2,122	1,950	1,826	1,733	1,659
215	-	-	-	4,267	2,970	2,462	2,177	1,992	1,860	1,760	1,683
220	-	-	-	4,796	3,131	2,550	2,237	2,036	1,895	1,789	1,707
225	-	-	-	5,568	3,317	2,646	2,300	2,082	1,931	1,819	1,733
230	-	-	-	6,856	3,536	2,752	2,367	2,131	1,969	1,850	1,759
235	-	-	-	9,747	3,799	2,869	2,439	2,182	2,009	1,882	1,785
240	-	-	-	-	4,124	3,000	2,517	2,237	2,050	1,915	1,813
245	-	-	-	-	4,539	3,148	2,601	2,294	2,093	1,950	1,842
250	-	-	-	-	5,100	3,317	2,693	2,355	2,139	1,986	1,871

3003 plus



Used symbols

d	[mm]	Shaft diameter	
D	[mm]	Hub inside diameter	
M_t	[Nm]	Max. transmittable torque	$F_{ax} = 0$
F_{ax}	[kN]	Max. transmittable axial force	$M_t = 0$
p_w	[N/mm ²]	Average pressure on the shaft	
p_N	[N/mm ²]	Average pressure on the hub	
L	[mm]	Length of the pressure ring	
L_1	[mm]	Distance of the pressure ring	
L_2	[mm]	Width of the locking device without screws	
L_3	[mm]	Width of the locking device with screws	
Z		Number of clamping screws	
S		Size of the clamping screws	
M_A	[Nm]	Tightening torque of the clamping screws	



Recommended tolerances & surfaces

Shaft	h8 / Rz10
Hub	H8 / Rz10

Pos.	Designation
1	Sleeve
2	Pressure ring
3	Screw

Bending loads

Bending moment (share)	$M_B \text{ max} = 0,3 * M_t$
Bending angle	max. 5'

More properties

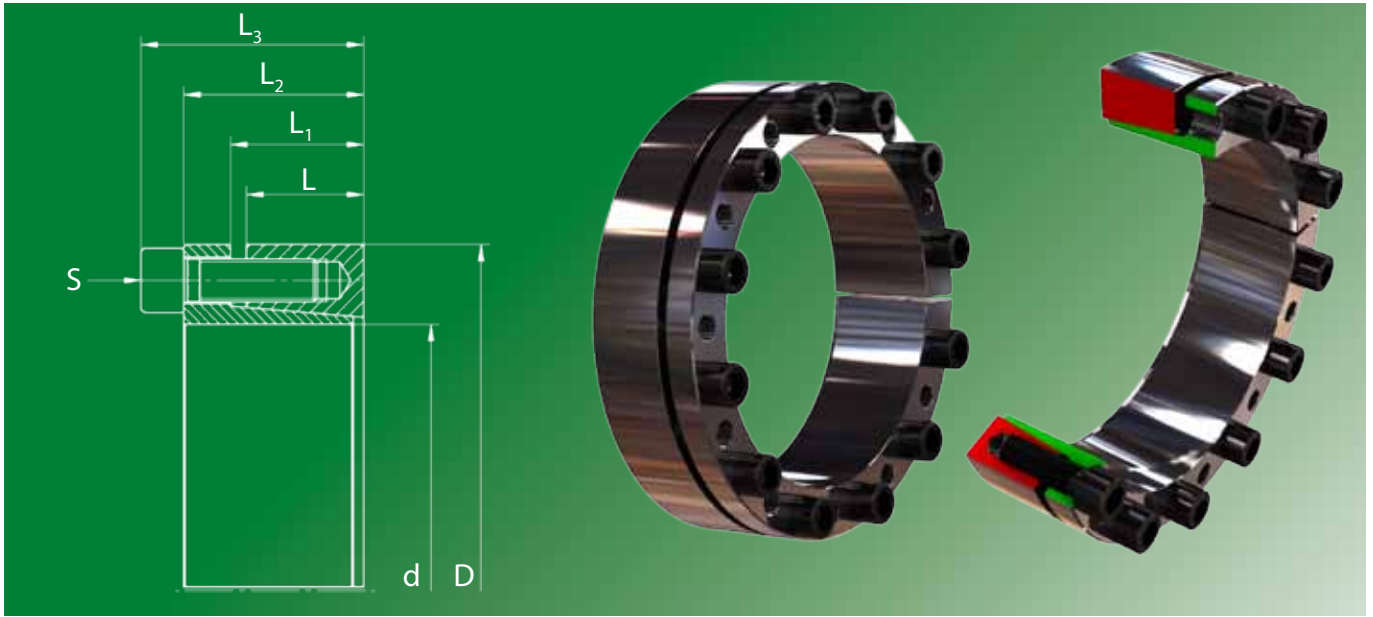
- axial displacement during assembly
- good self-centering
- low self-locking

Ordering information: TAS 3003 /d/D plus (for example: TAS 3003/150/200 plus ... further sizes on request)

3003 plus

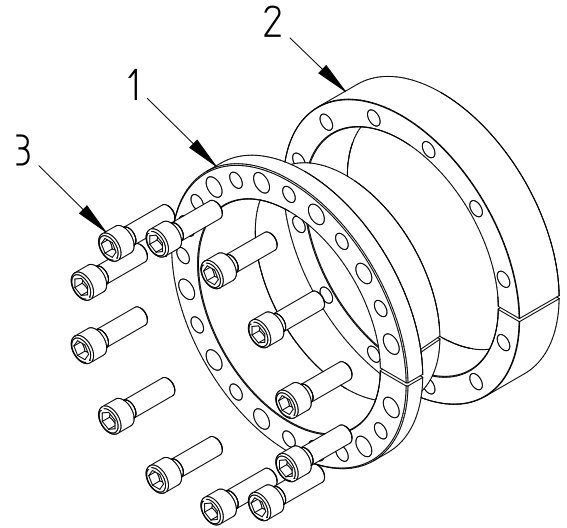
d mm		D mm	M_t Nm	F_{ax} kN	p_w N/mm ²	p_N N/mm ²	Z Stk	S	M_A Nm	L mm	L₁ mm	L₂ mm	L₃ mm	Weight kg
20	x	47	360	36	281	119	5	M6 x 020	14	17	22	28	34	0,26
22	x	47	390	36	255	119	5	M6 x 020	14	17	22	28	34	0,24
24	x	50	430	36	234	112	5	M6 x 020	14	17	22	28	34	0,27
25	x	50	540	43	270	135	6	M6 x 020	14	17	22	28	34	0,27
28	x	55	600	43	241	123	6	M6 x 020	14	17	22	28	34	0,32
30	x	55	640	43	225	123	6	M6 x 020	14	17	22	28	34	0,30
32	x	60	920	58	281	150	8	M6 x 020	14	17	22	28	34	0,37
35	x	60	1000	58	257	150	8	M6 x 020	14	17	22	28	34	0,34
38	x	65	1000	58	236	138	8	M6 x 020	14	17	22	30	36	0,43
40	x	65	1100	58	225	138	8	M6 x 020	14	17	22	30	36	0,40
45	x	75	2400	110	325	195	8	M8 x 025	35	20	25	34	42	0,64
50	x	80	2700	110	293	183	8	M8 x 025	35	20	25	34,5	42,5	0,71
55	x	85	3000	110	266	172	8	M8 x 025	35	20	25	34,5	42,5	0,76
60	x	90	3300	110	244	163	8	M8 x 025	35	20	25	34,5	42,5	0,82
65	x	95	4000	124	253	173	9	M8 x 025	35	20	25	34,5	42,5	0,87
70	x	110	6000	173	274	174	8	M10 x 030	69	24	29	41	51	1,6
75	x	115	6500	173	255	167	8	M10 x 030	69	24	29	41	51	1,7
80	x	120	6900	173	239	160	8	M10 x 030	69	24	29	41	51	1,8
85	x	125	8200	195	254	172	9	M10 x 030	69	24	29	41	51	1,9
90	x	130	8700	195	239	166	9	M10 x 030	69	24	29	41	51	2,0
95	x	135	10200	217	252	177	10	M10 x 030	69	24	29	41	51	2,0
100	x	145	14200	285	291	201	9	M12 x 035	120	26	31	46	58	2,8
110	x	155	15600	285	265	188	9	M12 x 035	120	26	31	46	58	3,0
120	x	165	17100	285	242	176	9	M12 x 035	120	26	32	46	58	3,2
130	x	180	25100	387	232	168	9	M14 x 040	190	34	40	57	71	4,9
140	x	190	27100	387	216	159	9	M14 x 040	190	34	40	57	71	5,2
150	x	200	32200	430	224	168	10	M14 x 040	190	34	40	57	71	5,5
160	x	210	41200	516	252	192	12	M14 x 040	190	34	40	57	71	5,8
170	x	225	43800	516	183	138	12	M14 x 040	190	44	50	67	81	8,2
180	x	235	46400	516	173	132	12	M14 x 040	190	44	50	67	81	8,6
190	x	250	67800	714	227	172	12	M16 x 050	295	44	50	67,5	83,5	10,0
200	x	260	71300	714	215	166	12	M16 x 050	295	44	50	67,5	83,5	10,5
220	x	285	78500	714	172	133	12	M16 x 050	295	50	56	76	92	14,2
240	x	305	107000	892	197	155	15	M16 x 050	295	50	56	76	92	15,3
260	x	325	139000	1071	219	175	18	M16 x 050	295	50	56	76	92	16,4
280	x	355	159000	1136	179	141	16	M18 x 060	405	60	66	88	106	24,1
300	x	375	191000	1278	188	151	18	M18 x 060	405	60	66	88	106	25,6
320	x	405	265000	1660	186	147	18	M20 x 060	580	74	81	104	124	36,9
340	x	425	329000	1937	204	163	21	M20 x 060	580	74	81	104	124	38,9
360	x	455	374000	2081	178	141	18	M22 x 060	780	86	94	120	142	53,5
380	x	475	461000	2428	197	158	21	M22 x 060	780	86	94	120	142	56,1
400	x	495	485000	2428	187	151	21	M22 x 060	780	86	94	120	142	58,7

3003



Used symbols

d	[mm]	Shaft diameter	
D	[mm]	Hub inside diameter	
M_t	[Nm]	Max. transmittable torque	$F_{ax} = 0$
F_{ax}	[kN]	Max. transmittable axial force	$M_t = 0$
p_w	[N/mm ²]	Average pressure on the shaft	
p_N	[N/mm ²]	Average pressure on the hub	
L	[mm]	Length of the pressure ring	
L_1	[mm]	Distance of the pressure ring	
L_2	[mm]	Width of the locking device without screws	
L_3	[mm]	Width of the locking device with screws	
Z		Number of clamping screws	
S		Size of the clamping screws	
M_A	[Nm]	Tightening torque of the clamping screws	



Recommended tolerances & surfaces

Shaft	h8 / Rz10
Hub	H8 / Rz10

Pos.	Designation
1	Sleeve
2	Pressure ring
3	Screw

Bending loads

Bending moment (share)	$M_B \text{ max} = 0,3 * M_t$
Bending angle	max. 5'

More properties

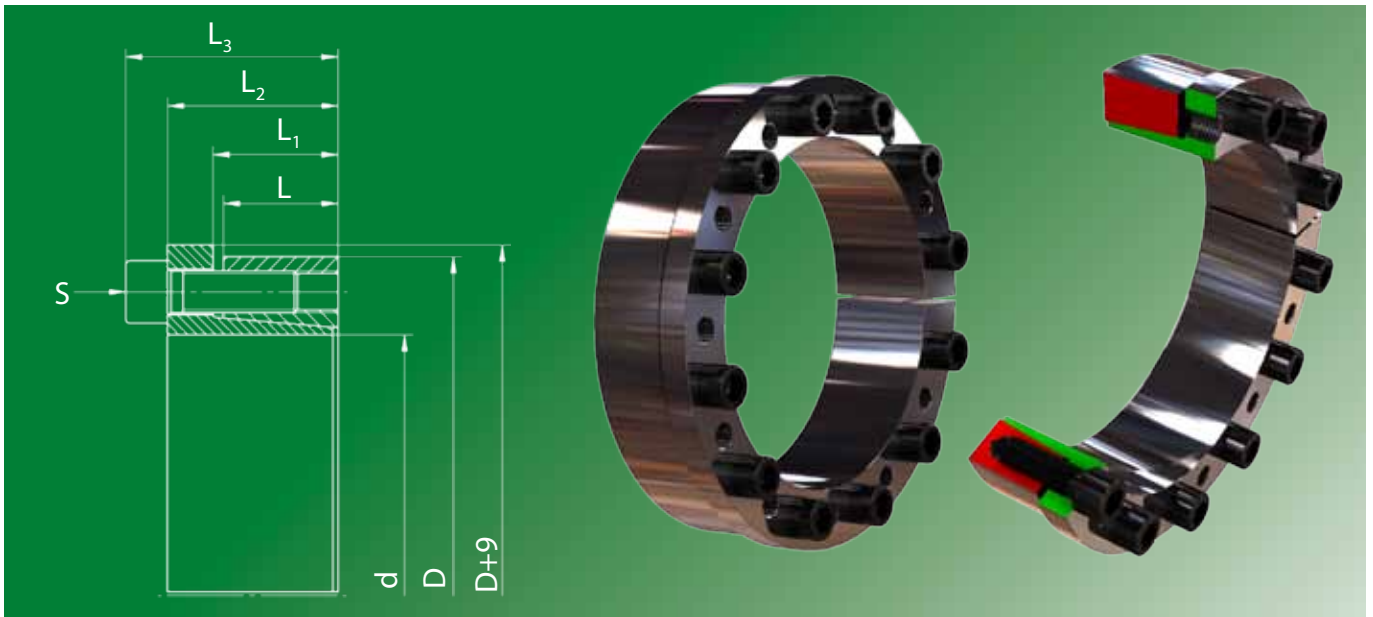
- axial displacement during assembly
- good self-centering
- low self-locking

Ordering information: TAS 3003/d/D (for example: TAS 3003/150/200 ... further sizes on request)

3003

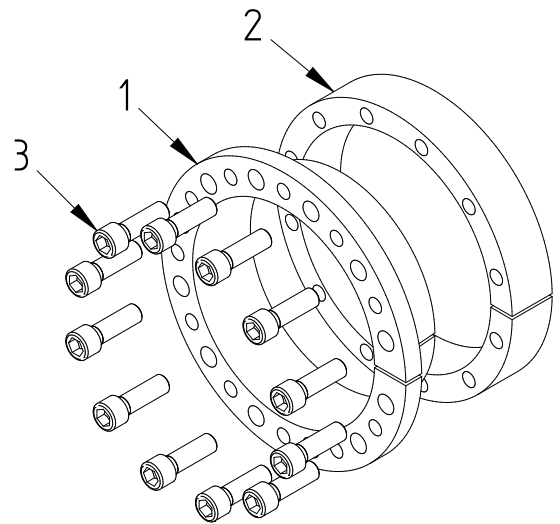
d mm		D mm	M_t Nm	F_{ax} kN	p_w N/mm ²	p_N N/mm ²	Z Stk	S	M_A Nm	L mm	L₁ mm	L₂ mm	L₃ mm	Weight kg
20	x	47	410	41	320	136	6	M6 x 020	14	17	22	28	34	0,26
22	x	47	450	41	290	136	6	M6 x 020	14	17	22	28	34	0,24
24	x	50	490	41	265	127	6	M6 x 020	14	17	22	28	34	0,27
25	x	50	510	41	255	127	6	M6 x 020	14	17	22	28	34	0,27
28	x	55	570	41	227	116	6	M6 x 020	14	17	22	28	34	0,32
30	x	55	610	41	212	115	6	M6 x 020	14	17	22	28	34	0,30
32	x	60	880	55	268	143	8	M6 x 020	14	17	22	28	34	0,37
35	x	60	960	55	245	143	8	M6 x 020	14	17	22	28	34	0,34
38	x	65	1000	53	216	126	8	M6 x 020	14	17	22	28	34	0,43
40	x	65	1100	55	215	132	8	M6 x 020	14	17	22	28	34	0,40
42	x	75	2200	105	331	185	8	M8 x 025	35	20	25	33	41	0,68
45	x	75	2400	107	314	189	8	M8 x 025	35	20	25	33	41	0,64
48	x	80	2500	104	288	173	8	M8 x 025	35	20	24	33,5	41	0,73
50	x	80	2600	104	276	172	8	M8 x 025	35	20	24	33,5	41	0,71
55	x	85	2900	105	254	165	8	M8 x 025	35	20	24	33,5	41	0,76
60	x	90	3100	103	228	152	8	M8 x 025	35	20	24	33,5	41	0,82
65	x	95	3400	105	213	146	8	M8 x 025	35	20	24	33,5	41	0,87
70	x	110	6000	171	271	172	8	M10 x 030	70	24	29	40	50	1,6
75	x	115	6400	171	252	164	8	M10 x 030	70	24	29	40	50	1,7
80	x	120	6800	170	235	157	8	M10 x 030	70	24	29	40	50	1,8
85	x	125	9000	212	275	187	10	M10 x 030	70	24	29	40	50	1,9
90	x	130	9600	213	262	181	10	M10 x 030	70	24	29	40	50	2,0
95	x	135	10200	215	250	176	10	M10 x 030	70	24	29	40	50	2,0
100	x	145	12000	240	245	169	8	M12 x 035	115	26	31	44	56	2,8
110	x	155	13000	236	219	156	8	M12 x 035	115	26	31	44	56	3,0
120	x	165	16000	267	227	165	9	M12 x 035	115	26	31	44	56	3,2
130	x	180	23000	354	212	153	12	M12 x 035	115	34	39	52	68	4,9
140	x	190	25000	357	199	147	9	M14 x 040	185	34	39	54	68	5,2
150	x	200	30000	400	208	156	10	M14 x 040	185	34	39	54	68	5,5
160	x	210	38800	485	236	180	12	M14 x 040	185	34	39	54	68	5,8
170	x	225	41300	486	172	130	12	M14 x 040	185	44	49	64	78	8,2
180	x	235	43700	486	163	125	12	M14 x 040	185	44	49	64	78	8,6
190	x	250	57700	607	193	146	15	M14 x 040	185	44	49	64	78	10,0
200	x	260	60700	607	183	141	15	M14 x 040	185	44	49	64	78	10,5

3006 plus



Used symbols

d	[mm]	Shaft diameter	
D	[mm]	Hub inside diameter	
M_t	[Nm]	Max. transmittable torque	$F_{ax} = 0$
F_{ax}	[kN]	Max. transmittable axial force	$M_t = 0$
p_w	[N/mm ²]	Average pressure on the shaft	
p_N	[N/mm ²]	Average pressure on the hub	
L	[mm]	Length of the pressure ring	
L_1	[mm]	Distance of the pressure ring	
L_2	[mm]	Width of the locking device without screws	
L_3	[mm]	Width of the locking device with screws	
Z		Number of clamping screws	
S		Size of the clamping screws	
M_A	[Nm]	Tightening torque of the clamping screws	



Recommended tolerances & surfaces

Shaft	h8 / Rz10
Hub	H8 / Rz10

Pos.	Designation
1	Sleeve
2	Pressure ring
3	Screw

Bending loads

Bending moment (share)	$M_B \max = 0,3 * M_t$
Bending angle	max. 5°

More properties

- no axial displacement during assembly
- good self-centering
- low self-locking

Ordering information: TAS 3006/d/D plus (for example: TAS 3006/150/200 plus ... further sizes on request)

3006 plus

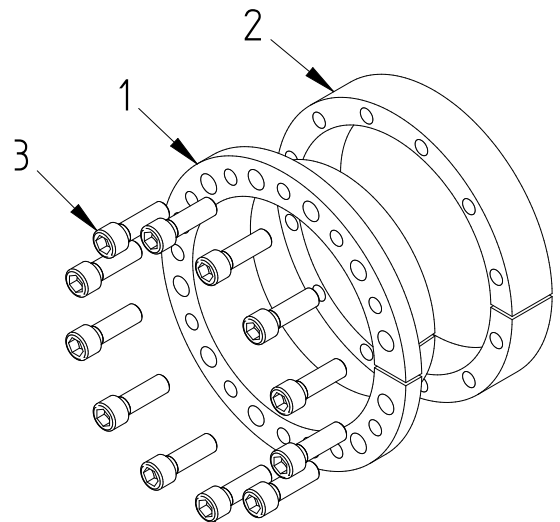
d mm	D mm	M_t Nm	F_{ax} kN	P_w N/mm ²	P_N N/mm ²	Z Stk	S	M_A Nm	L mm	L₁ mm	L₂ mm	L₃ mm	Weight kg
20	x 47	260	27	208	88	5	M6 x 020	17	17	22	30	36	0,28
22	x 47	290	27	189	88	5	M6 x 020	17	17	22	30	36	0,27
24	x 50	310	27	173	83	5	M6 x 020	17	17	22	30	36	0,30
25	x 50	390	32	199	100	6	M6 x 020	17	17	22	30	36	0,29
28	x 55	440	32	178	91	6	M6 x 020	17	17	22	28	34	0,32
30	x 55	470	32	166	91	6	M6 x 020	17	17	22	30	36	0,33
32	x 60	680	43	208	111	8	M6 x 020	17	17	22	28	34	0,37
35	x 60	740	43	190	111	8	M6 x 020	17	17	22	30	36	0,37
38	x 65	800	43	175	102	8	M6 x 020	17	17	22	30	36	0,43
40	x 65	850	43	166	102	8	M6 x 020	17	17	22	30	36	0,40
45	x 75	1700	79	232	139	8	M8 x 025	41	20	25	34	42	0,64
50	x 80	1900	79	209	131	8	M8 x 025	41	20	25	34	42	0,70
55	x 85	2100	79	190	123	8	M8 x 025	41	20	25	34	42	0,75
60	x 90	2300	79	174	116	8	M8 x 025	41	20	25	34	42	0,80
65	x 95	2800	89	181	124	9	M8 x 025	41	20	25	34	42	0,86
70	x 110	4500	130	205	131	8	M10 x 030	83	24	29	41	51	1,60
75	x 115	4800	130	192	125	8	M10 x 030	83	24	30	42	52	1,69
80	x 120	5100	130	180	120	8	M10 x 030	83	24	30	41	51	1,73
85	x 125	6200	146	190	129	9	M10 x 030	83	24	30	41	51	1,81
90	x 130	6500	146	180	124	9	M10 x 030	83	24	29	41	51	1,95
95	x 135	7700	162	189	133	10	M10 x 030	83	24	29	41	51	2,04
100	x 145	10800	216	220	152	9	M12 x 035	145	26	32	46	58	2,72
110	x 155	11800	216	200	142	9	M12 x 035	145	26	32	46	58	2,94
120	x 165	12900	216	184	134	9	M12 x 035	145	26	31	46	58	3,24
130	x 180	18800	290	174	126	9	M14 x 040	230	34	40	57	71	4,87
140	x 190	20200	290	162	119	9	M14 x 040	230	34	40	57	71	5,19
150	x 200	24100	322	168	126	10	M14 x 040	230	34	40	57	71	5,50
160	x 210	30900	387	189	144	12	M14 x 040	230	34	40	57	71	5,82
170	x 225	32800	387	137	104	12	M14 x 040	230	44	50	67	81	8,17
180	x 235	34700	387	129	99	12	M14 x 040	230	44	50	67	81	8,58
190	x 250	50400	531	168	128	12	M16 x 050	355	44	50	67	83	9,93
200	x 260	53000	531	160	123	12	M16 x 050	355	44	50	67	83	10,38
220	x 285	58300	531	128	99	12	M16 x 050	355	50	56	75	91	13,96
240	x 305	79500	663	147	115	15	M16 x 050	355	50	56	75	91	15,07
260	x 325	103000	796	162	130	18	M16 x 050	355	50	56	76	93	16,41
280	x 355	120000	858	135	107	16	M18 x 060	485	60	66	87	105	23,78
300	x 375	144000	965	142	114	18	M18 x 060	485	60	66	87	105	25,28
320	x 405	198000	1241	139	110	18	M20 x 060	690	74	81	104	124	36,85
340	x 425	246000	1447	153	122	21	M20 x 060	690	74	81	104	124	38,89
360	x 455	278000	1548	133	105	18	M22 x 060	930	86	94	120	142	53,46
380	x 475	343000	1805	147	117	21	M22 x 060	930	86	94	120	142	56,09
400	x 495	361000	1805	139	112	21	M22 x 060	930	86	94	120	142	58,71

3006



Used symbols

d	[mm]	Shaft diameter	
D	[mm]	Hub inside diameter	
$D1$	[mm]	Outer diameter sleeve	
M_t	[Nm]	Max. transmittable torque	$F_{ax} = 0$
F_{ax}	[kN]	Max. transmittable axial force	$M_t = 0$
p_w	[N/mm ²]	Average pressure on the shaft	
p_N	[N/mm ²]	Average pressure on the hub	
L	[mm]	Length of the pressure ring	
L_1	[mm]	Distance of the pressure ring	
L_2	[mm]	Width of the locking device without screws	
L_3	[mm]	Width of the locking device with screws	
Z		Number of clamping screws	
S		Size of the clamping screws	
M_A	[Nm]	Tightening torque of the clamping screws	



Recommended tolerances & surfaces

Shaft	h8 / Rz10
Hub	H8 / Rz10

Pos.	Designation
1	Sleeve
2	Pressure ring
3	Screw

Bending loads

Bending moment (share) $M_B \text{ max} = 0,3 * M_t$
 Bending angle max. 5°

More properties

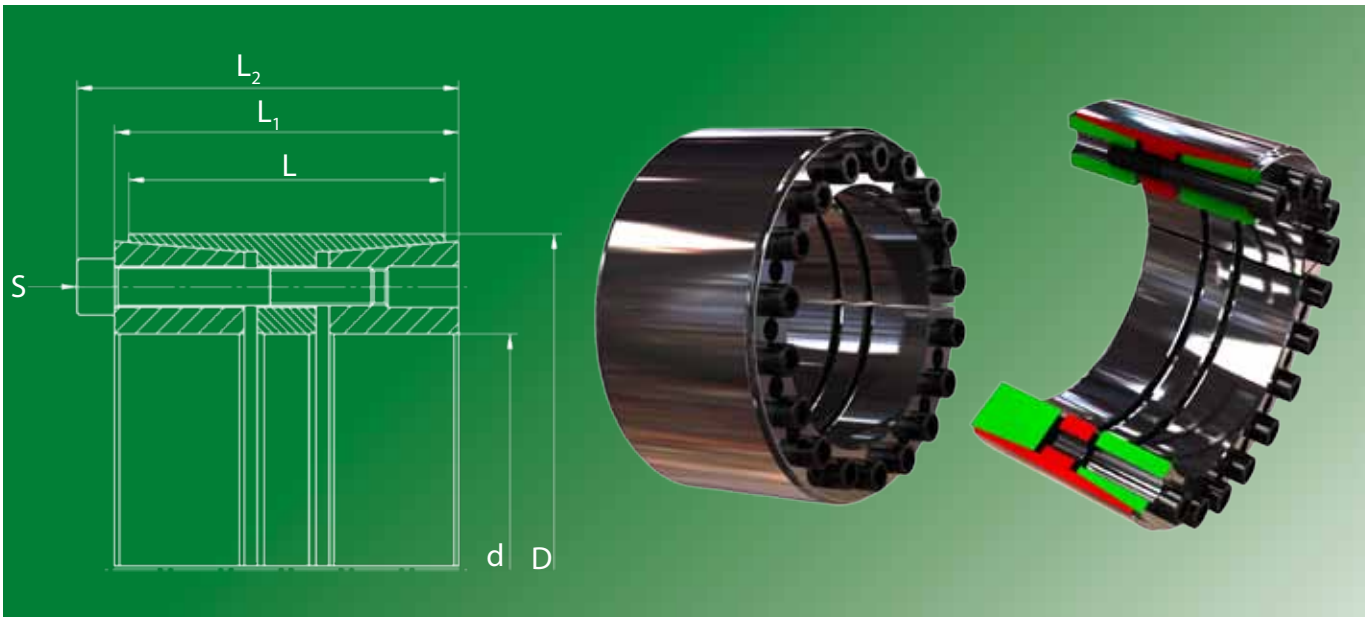
- no axial displacement during assembly
- good self-centering
- low self-locking

Ordering information: TAS 3006/d/D (for example: TAS 3006/150/200 ... further sizes on request)

3006

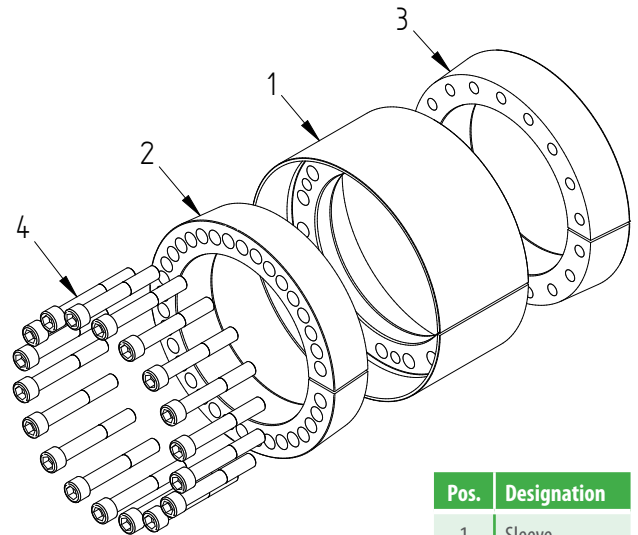
<i>d</i> mm		<i>D</i> mm	<i>D1</i> mm	<i>M_t</i> Nm	<i>F_{ax}</i> kN	<i>p_w</i> N/mm ²	<i>p_N</i> N/mm ²	<i>Z</i> Stk	<i>S</i>	<i>M_A</i> Nm	<i>L</i> mm	<i>L₁</i> mm	<i>L₂</i> mm	<i>L₃</i> mm	Gewicht kg
20	x	47	53	320	32	250	106	6	M6 x 020	17	17	22	28	34	0,28
22	x	47	53	350	32	226	106	6	M6 x 020	17	17	22	28	34	0,27
24	x	50	56	390	33	211	101	6	M6 x 020	17	17	22	28	34	0,30
25	x	50	56	400	32	200	100	6	M6 x 020	17	17	22	28	34	0,29
28	x	55	61,4	450	32	179	91	6	M6 x 020	17	17	22	28	34	0,32
30	x	55	61,4	490	33	170	93	6	M6 x 020	17	17	22	28	34	0,33
32	x	60	67	700	44	213	114	8	M6 x 020	17	17	22	28	34	0,37
35	x	60	67	760	43	194	113	8	M6 x 020	17	17	22	28	34	0,37
38	x	65	72	820	43	177	104	8	M6 x 020	17	17	22	28	34	0,43
40	x	65	72	870	44	170	104	8	M6 x 020	17	17	22	28	34	0,40
42	x	75	84	1700	81	256	143	8	M8 x 025	41	20	25	33	41	0,69
45	x	75	84	1800	80	236	141	8	M8 x 025	41	20	25	33	41	0,64
48	x	80	89	1900	79	219	131	8	M8 x 025	41	20	24	33,5	41	0,74
50	x	80	89	2000	80	212	133	8	M8 x 025	41	20	24	33,5	41	0,70
55	x	85	94	2200	80	193	125	8	M8 x 025	41	20	24	33,5	41	0,75
60	x	90	99	2400	80	177	118	8	M8 x 025	41	20	24	33,5	41	0,80
65	x	95	104	2600	80	163	112	8	M8 x 025	41	20	24	33,5	41	0,86
70	x	110	119	4600	131	208	132	8	M10 x 030	83	24	29	40	50	1,60
75	x	115	124	5000	133	196	128	8	M10 x 030	83	24	29	40	50	1,69
80	x	120	129	5300	133	183	122	8	M10 x 030	83	24	29	40	50	1,73
85	x	125	134	7000	165	214	146	10	M10 x 030	83	24	29	40	50	1,81
90	x	130	139	7400	164	202	140	10	M10 x 030	83	24	29	40	50	1,95
95	x	135	144	7800	164	191	134	10	M10 x 030	83	24	29	40	50	2,04
100	x	145	154	9700	194	198	136	8	M12 x 035	145	26	31	44	56	2,72
110	x	155	164	10700	195	180	128	8	M12 x 035	145	26	31	44	56	2,94
120	x	165	174	13100	218	186	135	9	M12 x 035	145	26	31	44	56	3,24
130	x	180	189	19000	292	175	127	12	M12 x 035	145	34	39	52	68	4,87
140	x	190	199	20500	293	163	120	9	M14 x 040	230	34	39	54	68	5,19
150	x	200	209	24500	327	170	127	10	M14 x 040	230	34	39	54	68	5,50
160	x	210	219	31300	391	191	145	12	M14 x 040	230	34	39	54	68	5,82
170	x	225	234	33200	391	139	105	12	M14 x 040	230	44	49	64	78	8,17
180	x	235	244	35000	389	130	100	12	M14 x 040	230	44	49	64	78	8,58
190	x	250	259	46500	489	155	118	15	M14 x 040	230	44	49	64	78	9,93
200	x	260	269	49000	490	148	114	15	M14 x 040	230	44	49	64	78	10,38

3012



Used symbols

d	[mm]	Shaft diameter	
D	[mm]	Hub inside diameter	
M_t	[Nm]	Max. transmittable torque	$F_{ax} = 0$
F_{ax}	[kN]	Max. transmittable axial force	$M_t = 0$
p_w	[N/mm ²]	Average pressure on the shaft	
p_N	[N/mm ²]	Average pressure on the hub	
L	[mm]	Length of the sleeve	
L_1	[mm]	Width of the locking device without screws	
L_2	[mm]	Width of the locking device with screws	
Z		Number of clamping screws	
S		Size of the clamping screws	
M_A	[Nm]	Tightening torque of the clamping screws	



Pos.	Designation
1	Sleeve
2	Pressure ring 1
3	Pressure ring 2
4	Screw

Recommended tolerances & surfaces

Shaft	h8 / Rz10
Hub	H8 / Rz10

Bending loads

Bending moment (share)	$M_B \max = 0,4 * M_t$
Bending angle	max. 5°

More properties

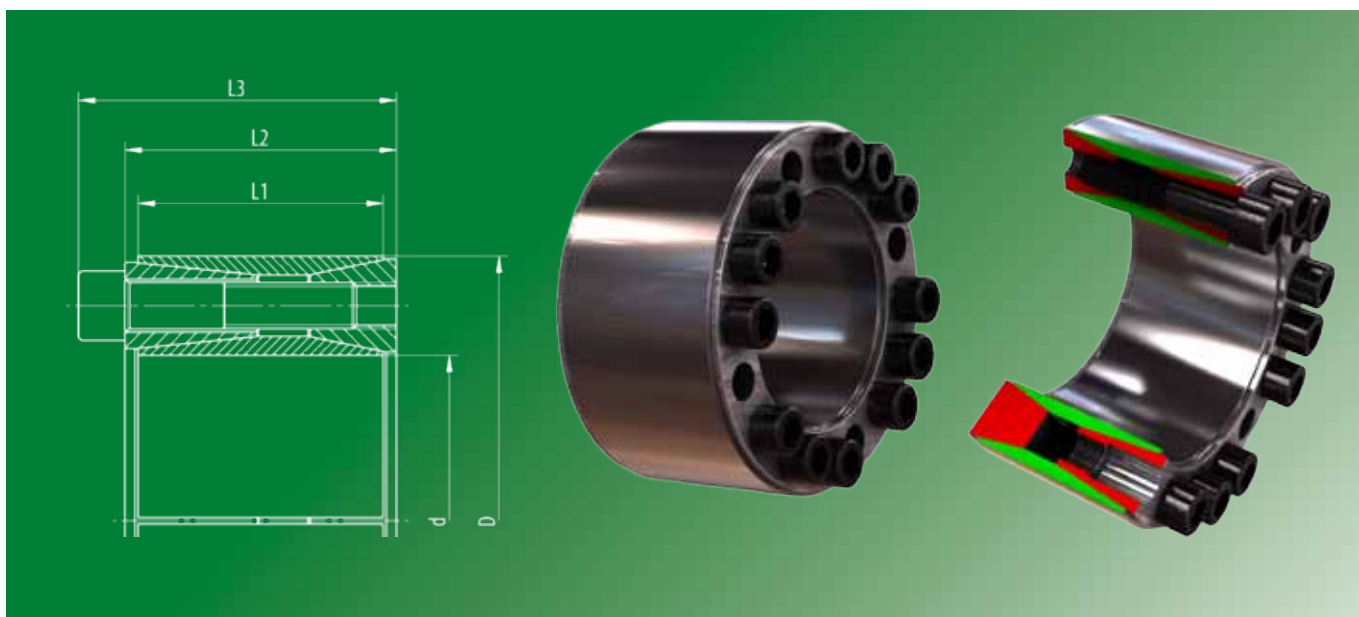
- low axial displacement during assembly
- very good self-centering
- high self-locking

Ordering information: TAS 3012/d/D (for example: TAS 3012/150/200 ... further sizes on request)

3012

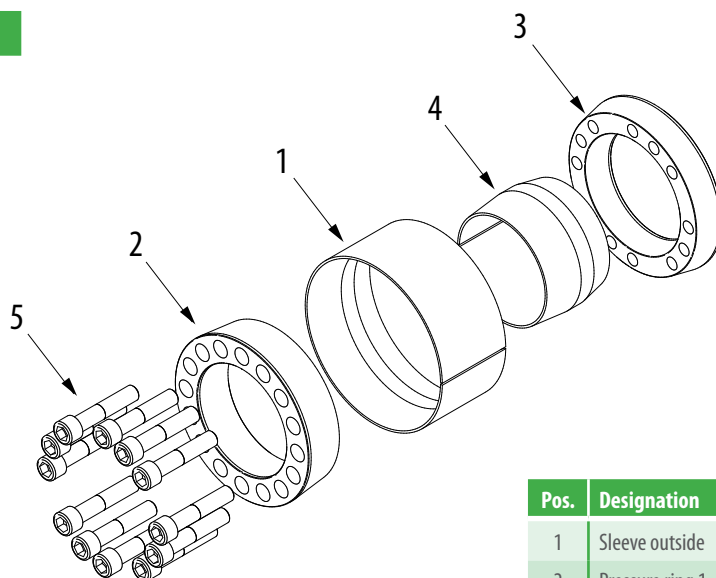
d mm		D mm	M_t Nm	F_{ax} kN	p_w N/mm ²	p_N N/mm ²	Z Stk	S	M_A Nm	L mm	L₁ mm	L₂ mm	Weight kg
25	x	50	660	53	153	63	5	M6 x 045	17	45	53	59	0,5
30	x	55	950	64	153	68	6	M6 x 045	17	45	55	61	0,6
35	x	60	1300	75	153	73	7	M6 x 045	17	45	55	61	0,7
38	x	65	1600	85	161	77	8	M6 x 045	17	45	55	61	0,8
40	x	65	1700	85	153	77	8	M6 x 045	17	45	55	61	0,7
45	x	75	3100	138	239	111	7	M8 x 050	41	44	54	62	1,0
50	x	80	3900	158	190	93	8	M8 x 050	41	56	64	72	1,3
55	x	85	4800	177	194	99	9	M8 x 050	41	56	64	72	1,5
60	x	90	5900	197	198	104	10	M8 x 050	41	56	64	72	1,6
65	x	95	6400	197	183	98	10	M8 x 050	41	56	64	72	1,7
70	x	110	11300	325	220	112	10	M10 x 060	83	70	78	88	3,1
80	x	120	14200	357	212	113	11	M10 x 060	83	70	78	88	3,5
90	x	130	17500	390	205	114	12	M10 x 060	83	70	78	88	3,8
100	x	145	26400	528	200	107	11	M12 x 080	145	90	100	112	6,1
110	x	155	31600	576	198	110	12	M12 x 080	145	90	100	112	6,6
120	x	165	40300	672	212	120	14	M12 x 080	145	90	100	112	7,1
130	x	180	50200	773	188	110	12	M14 x 090	230	104	116	130	9,9
140	x	190	63100	902	203	121	14	M14 x 090	230	104	116	130	10,6
150	x	200	72400	966	203	123	15	M14 x 090	230	104	116	130	11,2
160	x	210	82400	1031	203	125	16	M14 x 090	230	104	118	132	11,9
170	x	225	105000	1238	176	109	14	M16 x 110	355	134	146	162	17,9
180	x	235	119000	1327	178	112	15	M16 x 110	355	134	146	162	18,9
190	x	250	134000	1415	180	112	16	M16 x 110	355	134	146	162	21,8
200	x	260	141000	1415	171	108	16	M16 x 110	355	134	146	162	22,8
220	x	285	175000	1592	174	111	18	M16 x 110	355	134	146	162	27,1
240	x	305	212000	1769	178	115	20	M16 x 110	355	134	146	162	29,3
260	x	325	229000	1769	164	108	20	M16 x 110	355	134	146	162	31,4
280	x	355	347000	2481	178	112	18	M20 x 130	690	165	177	197	48,4
300	x	375	413000	2757	185	118	20	M20 x 130	690	165	177	197	51,5
320	x	405	463000	2895	182	115	21	M20 x 130	690	165	177	197	62,7
340	x	425	515000	3033	174	115	22	M20 x 130	690	165	177	197	66,1
360	x	455	649000	3611	174	111	21	M22 x 150	930	190	202	224	90,7
380	x	475	718000	3783	173	111	22	M22 x 150	930	190	202	224	95,1
400	x	495	825000	4127	179	116	24	M22 x 150	930	190	202	224	100
420	x	515	866000	4127	170	112	24	M22 x 150	930	190	202	224	104
440	x	535	907000	4127	163	108	24	M22 x 150	930	190	202	224	109
460	x	555	949000	4127	156	104	24	M22 x 150	930	190	202	224	113
480	x	575	1155000	4814	174	117	28	M22 x 150	930	190	202	224	117
500	x	595	1203000	4814	167	113	28	M22 x 150	930	190	202	224	122
520	x	615	1341000	5158	172	117	30	M22 x 150	930	190	202	224	126
540	x	635	1437000	5325	171	117	30	M22 x 150	930	190	202	224	131
560	x	655	1590000	5680	176	121	32	M22 x 150	930	190	202	224	135
580	x	675	1698000	5857	175	121	33	M22 x 150	930	190	202	224	140
600	x	695	1757000	5857	169	118	33	M22 x 150	930	190	202	224	144
620	x	715	1870000	6035	169	118	34	M22 x 150	930	190	202	224	149

3014



Used symbols

d	[mm]	Shaft diameter	
D	[mm]	Hub inside diameter	
M_t	[Nm]	Max. transmittable torque	$F_{ax} = 0$
F_{ax}	[kN]	Max. transmittable axial force	$M_t = 0$
p_w	[N/mm ²]	Average pressure on the shaft	
p_N	[N/mm ²]	Average pressure on the hub	
L_1	[mm]	Length of the sleeve inside and outside	
L_2	[mm]	Width of the locking device without screws	
L_3	[mm]	Width of the locking device with screws	
Z		Number of clamping screws	
S		Size of the clamping screws	
M_A	[Nm]	Tightening torque of the clamping screws	



Pos.	Designation
1	Sleeve outside
2	Pressure ring 1
3	Pressure ring 2
4	Sleeve inside
5	Screw

Recommended tolerances & surfaces

Shaft	k9-h9 / Rz10
Hub	N9-H9 / Rz10

Bending loads

Bending moment (share)	$M_B \text{ max} = 0,3 * M_t$
Bending angle	max. 5°

More properties

- no axial displacement during assembly
- very good self-centering
- low self-locking

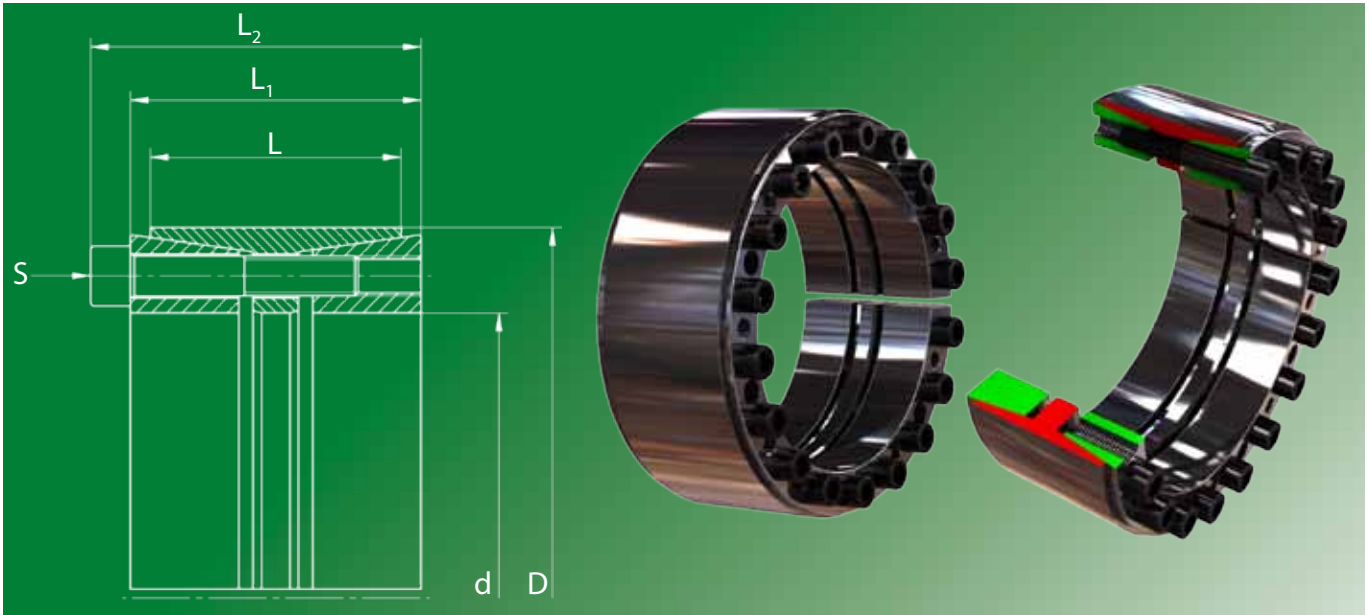
In order to be able to dismantle these clamping sets, the back pressure ring pos. 3 must bear against a stop !

Ordering information: TAS 3014/d/D (for example: TAS 3014/150/200 ... further sizes on request)

3014

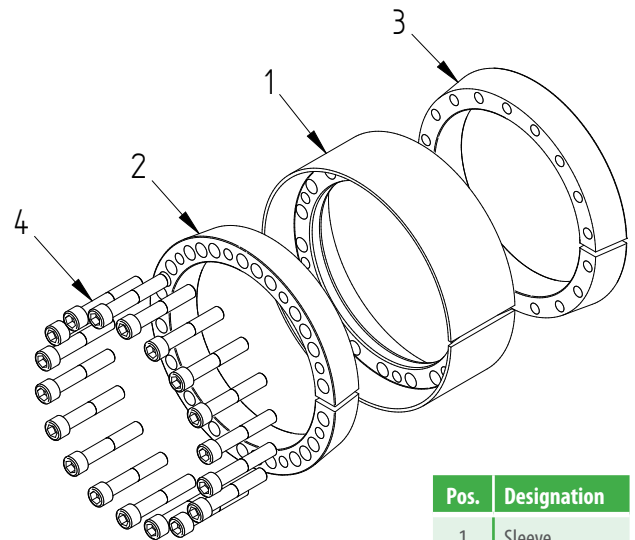
<i>d</i> mm	<i>D</i> mm	<i>M_t</i> Nm	<i>F_{ax}</i> kN	<i>p_w</i> N/mm ²	<i>p_N</i> N/mm ²	<i>Z</i> Stk	<i>S</i>	<i>M_A</i> Nm	<i>L₁</i> mm	<i>L₂</i> mm	<i>L₃</i> mm	<i>Weight</i> kg
70	x 120	7136	204	206	120	8	M12 x 055	145	56	62	74	3,2
80	x 130	12233	306	271	166	12	M12 x 055	145	56	62	74	3,6
90	x 140	13762	306	240	155	12	M12 x 055	145	56	62	74	3,9
100	x 160	20967	419	219	137	12	M14 x 070	235	72	82	96	7,0
110	x 170	26908	489	233	151	14	M14 x 070	235	72	82	96	7,5
120	x 180	31450	524	228	152	15	M14 x 070	235	72	82	96	8,0
130	x 190	34071	524	211	144	15	M14 x 070	235	72	82	96	8,5
140	x 200	41585	594	222	155	17	M14 x 070	235	72	82	96	9,1
150	x 210	47176	629	219	151	18	M14 x 070	235	72	82	96	9,6
160	x 230	65643	821	231	161	17	M16 x 080	365	84	94	110	13,8
170	x 240	73848	869	230	163	18	M16 x 080	365	84	94	110	14,5
180	x 250	86880	965	241	174	20	M16 x 080	365	84	94	110	15,3
190	x 260	96292	1014	240	175	21	M16 x 080	365	84	94	110	16,0
200	x 270	111013	1110	250	185	23	M16 x 080	365	84	94	110	17,0
220	x 300	135579	1233	198	145	21	M18 x 100	500	105	116	134	27,0
240	x 320	169033	1408	208	156	24	M18 x 100	500	105	116	134	29,2
260	x 340	183119	1409	192	147	24	M18 x 100	500	105	116	134	31,3
280	x 370	252994	1807	194	147	24	M20 x 120	710	125	136	156	45,0
300	x 390	271065	1807	181	139	24	M20 x 120	710	125	136	156	47,7

RB



Used symbols

d	[mm]	Shaft diameter	
D	[mm]	Hub inside diameter	
M_t	[Nm]	Max. transmittable torque	$F_{ax} = 0$
F_{ax}	[kN]	Max. transmittable axial force	$M_t = 0$
p_w	[N/mm ²]	Average pressure on the shaft	
p_n	[N/mm ²]	Average pressure on the hub	
L	[mm]	Length of the sleeve	
L_1	[mm]	Width of the locking device without screws	
L_2	[mm]	Width of the locking device with screws	
Z		Number of clamping screws	
S		Size of the clamping screws	
M_A	[Nm]	Tightening torque of the clamping screws	



Pos.	Designation
1	Sleeve
2	Pressure ring 1
3	Pressure ring 2
4	Screw

Recommended tolerances & surfaces

Shaft	h8 / Rz10
Hub	H8 / Rz10

Bending loads

Bending moment (share)	$M_b \max = 0,4 * M_t$
Bending angle	max. 5°

More properties

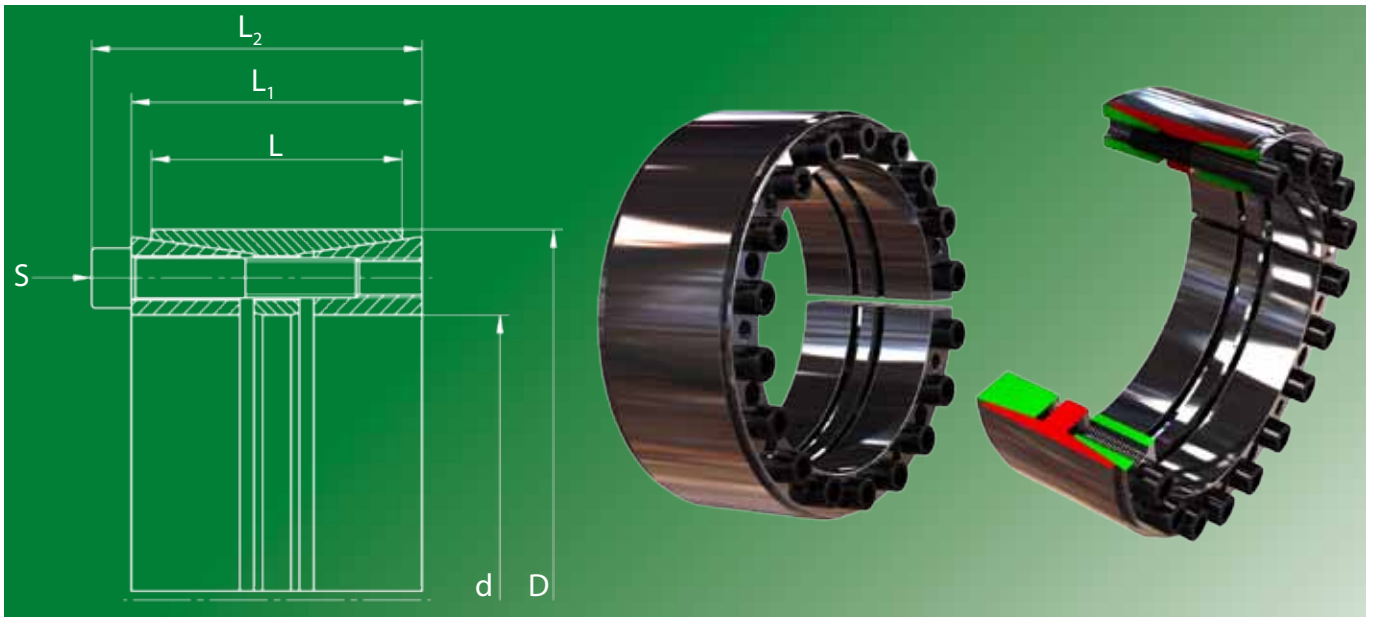
- low axial displacement during assembly
- good self-centering
- low self-locking

Ordering information: TAS RB/d/D (for example: TAS RB/150/200... further sizes on request)

RB

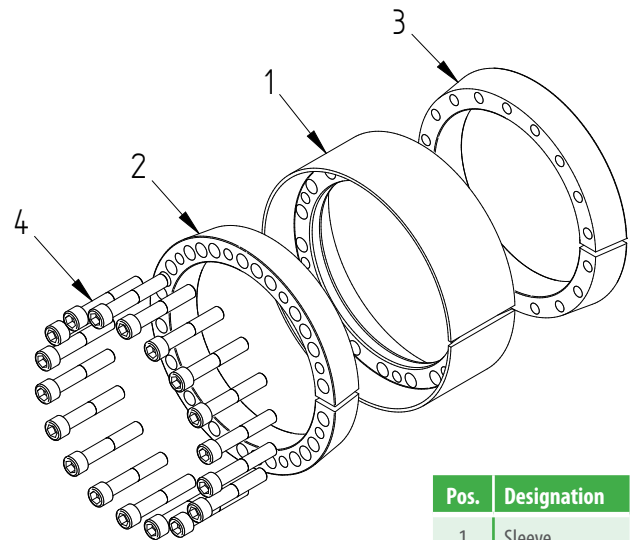
d mm	D mm	M_t Nm	F_{ax} kN	p_w N/mm ²	p_N N/mm ²	Z Stk	S	M_A Nm	L mm	L₁ mm	L₂ mm	Weight kg
100	x 145	7800	157	80	46	7	M10x060	83	62	74	84	4,2
110	x 155	9800	180	83	50	8	M10x060	83	62	74	84	4,6
120	x 165	12100	202	83	51	9	M10x060	83	64	76	86	5,1
130	x 180	14600	225	85	52	10	M10x060	83	64	76	86	6,1
140	x 190	17300	247	84	52	11	M10x060	83	66	78	88	6,7
150	x 200	18500	247	73	53	11	M10x070	83	62	84	94	6,7
160	x 210	23900	299	75	48	9	M12x075	145	78	92	104	8,9
170	x 225	28200	332	79	50	10	M12x075	145	78	92	104	10,4
180	x 235	29800	332	79	50	10	M12x070	145	75	86	100	10,6
190	x 250	38100	401	67	50	9	M14x080	230	85	112	126	13,8
200	x 260	44500	446	70	54	10	M14x090	230	85	112	126	14,5
220	x 285	53900	490	74	54	11	M14x090	230	85	112	126	17,2
240	x 305	66000	551	76	56	9	M16x090	355	85	112	128	18,6
260	x 325	87400	673	75	57	11	M16x100	355	97	124	140	22,7
280	x 355	111000	795	72	55	13	M16x090	355	108	136	152	31,7
300	x 375	119000	795	73	52	13	M16x090	355	108	127	143	33,7
320	x 405	138000	865	65	47	15	M16x090	355	120	142	142	45,6
340	x 425	142000	841	60	44	15	M16x090	355	120	142	158	48,1
360	x 455	195000	1088	67	49	16	M18x130	485	130	160	178	62,1
380	x 475	235000	1240	67	48	13	M20x130	690	145	172	192	72,6
400	x 495	305000	1526	78	56	16	M20x130	690	145	172	192	76,0
420	x 515	320000	1526	69	54	16	M20x130	690	145	180	190	79,4
440	x 545	377000	1717	74	52	18	M20x130	690	160	180	200	102,0
460	x 565	394000	1717	71	56	18	M20x130	690	145	180	200	96,2
480	x 585	457000	1907	75	54	20	M20x130	690	160	180	200	110,3
500	x 605	476000	1907	72	60	20	M20x130	690	140	180	200	100,1
520	x 630	556000	2141	73	50	18	M22x140	930	180	202	224	140,4
540	x 650	610000	2260	74	51	19	M22x140	930	180	202	224	145,3
560	x 670	666000	2379	75	52	20	M22x140	930	180	202	224	150,2
580	x 690	632000	2180	66	47	20	M22x140	930	180	208	208	155,0
600	x 710	653000	2180	64	45	20	M22x140	930	180	208	230	159,9
620	x 730	585000	1888	78	62	21	M20x090	930	110	140	140	100,7

3015



Used symbols

d	[mm]	Shaft diameter	
D	[mm]	Hub inside diameter	
M_t	[Nm]	Max. transmittable torque	$F_{ax} = 0$
F_{ax}	[kN]	Max. transmittable axial force	$M_t = 0$
p_w	[N/mm ²]	Average pressure on the shaft	
p_n	[N/mm ²]	Average pressure on the hub	
L	[mm]	Length of the sleeve	
L_1	[mm]	Width of the locking device without screws	
L_2	[mm]	Width of the locking device with screws	
Z		Number of clamping screws	
S		Size of the clamping screws	
M_A	[Nm]	Tightening torque of the clamping screws	



Pos.	Designation
1	Sleeve
2	Pressure ring 1
3	Pressure ring 2
4	Screw

Recommended tolerances & surfaces

Shaft	h8 / Rz10
Hub	H8 / Rz10

Bending loads

Bending moment (share)	$M_b \max = 0,3 * M_t$
Bending angle	max. 5°

More properties

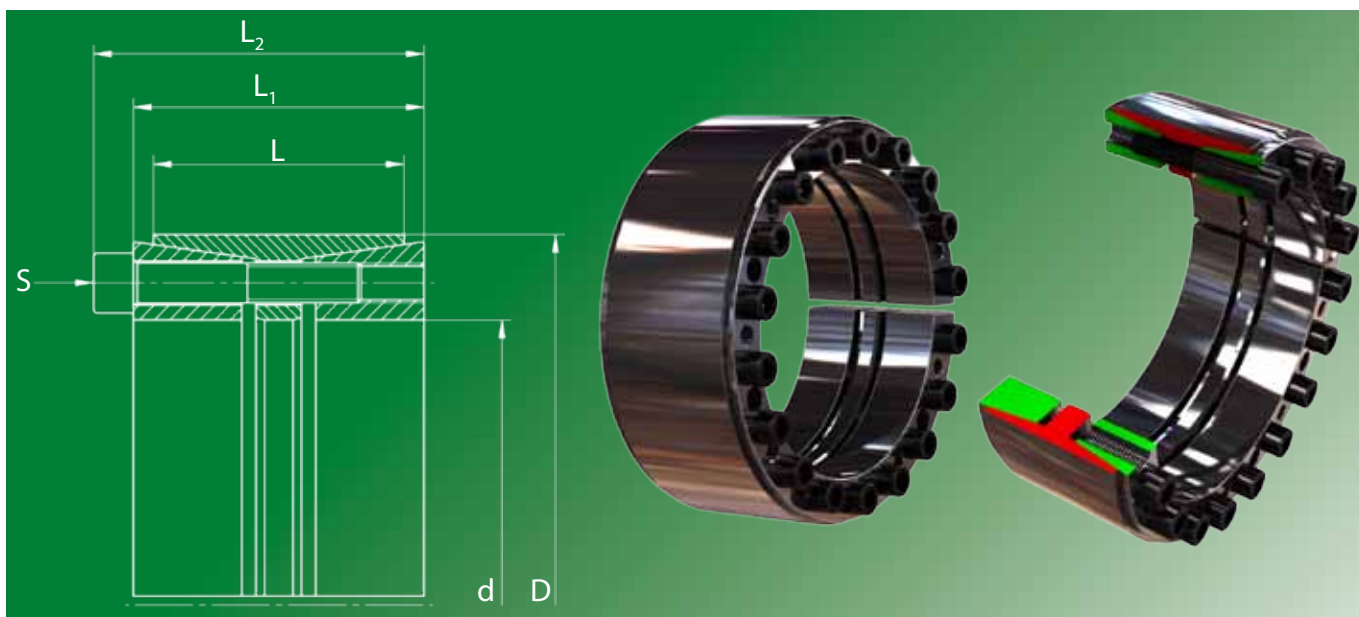
- low axial displacement during assembly
- good self-centering
- low self-locking

Ordering information: TAS 3015/d/D (for example: TAS 3015/150/200 ... further sizes on request)

3015

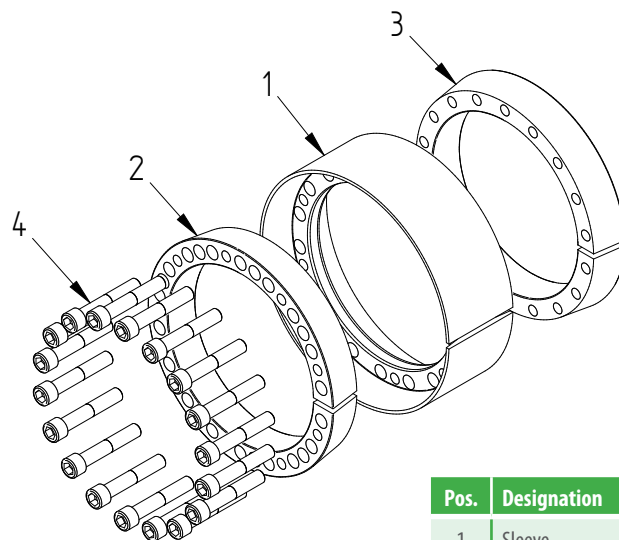
d mm	D mm	M_t Nm	F_{ax} kN	P_w N/mm ²	P_N N/mm ²	Z Stk	S	M_A Nm	L mm	L₁ mm	L₂ mm	Weight kg
70	x 110	6900	197	187	95	8	M10 x 055	83	50	60	70	2,2
80	x 120	9800	247	204	109	10	M10 x 055	83	50	60	70	2,5
90	x 130	12200	271	200	111	11	M10 x 055	83	50	60	70	2,7
100	x 145	18200	364	201	111	10	M12 x 060	145	60	70	82	4,1
110	x 155	20000	364	183	104	10	M12 x 060	145	60	70	82	4,4
120	x 165	24000	401	185	107	11	M12 x 060	145	60	70	82	4,7
130	x 180	33100	510	193	116	14	M12 x 065	145	65	79	91	6,2
140	x 190	38200	547	192	117	15	M12 x 065	145	65	79	91	6,6
150	x 200	40900	547	179	112	15	M12 x 065	145	65	79	91	7,0
160	x 210	46600	583	179	113	16	M12 x 065	145	65	79	91	7,4
170	x 225	62300	734	179	111	15	M14 x 075	230	78	92	106	10,4
180	x 235	66000	734	169	106	15	M14 x 075	230	78	92	106	11,0
190	x 250	74300	782	144	94	16	M14 x 080	230	88	102	116	14,3
200	x 260	97100	972	170	113	18	M14 x 080	230	88	102	116	15,0
220	x 285	110000	1007	148	98	15	M16 x 090	355	96	108	124	19,4
240	x 305	161000	1342	181	122	20	M16 x 090	355	96	108	124	21,0
260	x 325	174000	1342	167	114	20	M16 x 090	355	96	108	124	22,5
280	x 355	219000	1569	196	122	15	M20 x 100	690	96	110	130	28,2
300	x 375	251000	1674	195	123	16	M20 x 100	690	96	110	130	30,0
320	x 405	334000	2092	181	111	20	M20 x 110	690	124	136	156	47,1
340	x 425	355000	2092	170	105	20	M20 x 110	690	124	136	156	49,7
360	x 455	469000	2610	160	109	20	M22 x 130	930	140	157	179	66,8
380	x 475	495000	2610	152	104	20	M22 x 130	930	140	157	179	70,1
400	x 495	574000	2871	159	110	22	M22 x 130	930	140	157	179	73,4
420	x 515	657000	3132	165	115	24	M22 x 130	930	140	157	179	76,7
440	x 535	689000	3132	157	111	24	M22 x 130	930	140	157	179	79,9
460	x 555	720000	3132	151	107	24	M22 x 130	930	140	157	179	83,2
480	x 575	782000	3262	150	108	25	M22 x 130	930	140	157	179	86,5
500	x 595	815000	3262	144	104	25	M22 x 130	930	140	157	179	89,8
520	x 615	950000	3654	155	113	28	M22 x 130	930	140	157	179	93,1
540	x 635	986000	3654	150	109	28	M22 x 130	930	140	157	179	96,3
560	x 655	1096000	3915	155	113	30	M22 x 130	930	140	157	179	100
580	x 675	1135000	3915	149	110	30	M22 x 130	930	140	157	179	103
600	x 695	1174000	3915	144	107	30	M22 x 130	930	140	157	179	106

3015.1



Used symbols

d	[mm]	Shaft diameter	
D	[mm]	Hub inside diameter	
M_t	[Nm]	Max. transmittable torque	$F_{ax} = 0$
F_{ax}	[kN]	Max. transmittable axial force	$M_t = 0$
p_w	[N/mm ²]	Average pressure on the shaft	
p_n	[N/mm ²]	Average pressure on the hub	
L	[mm]	Length of the sleeve	
L_1	[mm]	Width of the locking device without screws	
L_2	[mm]	Width of the locking device with screws	
Z		Number of clamping screws	
S		Size of the clamping screws	
M_A	[Nm]	Tightening torque of the clamping screws	



Pos.	Designation
1	Sleeve
2	Pressure ring 1
3	Pressure ring 2
4	Screw

Recommended tolerances & surfaces

Shaft	h8 / Rz10
Hub	H8 / Rz10

Bending loads

Bending moment (share)	$M_b \max = 0,4 * M_t$
Bending angle	max. 5°

More properties

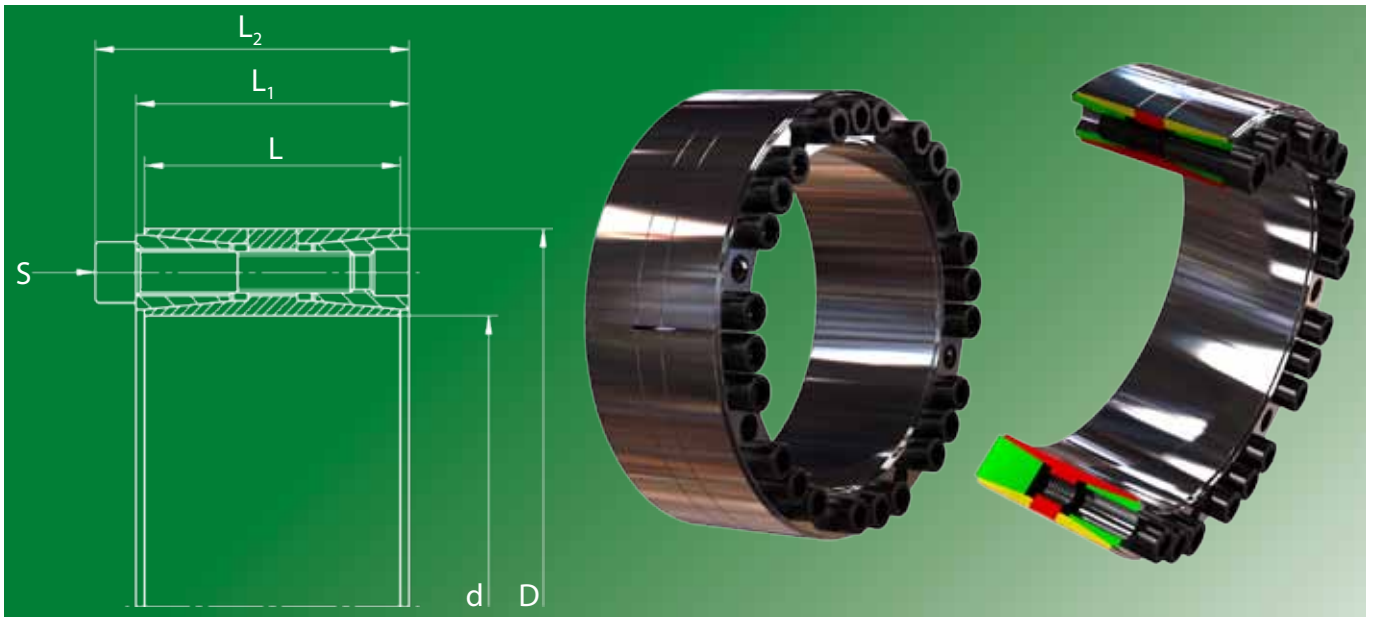
- low axial displacement during assembly
- good self-centering
- low self-locking

Ordering information: TAS 3015.1/d/D (for example: TAS 3015.1/150/200 ... further sizes on request)

3015.1

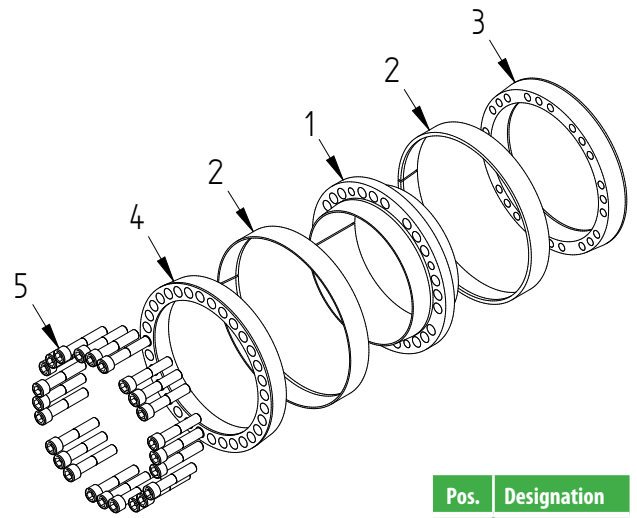
d mm	D mm	M_t Nm	F_{ax} kN	p_w N/mm ²	p_N N/mm ²	Z Stk	S	M_A Nm	L mm	L₁ mm	L₂ mm	Weight kg
70	x 110	4000	116	110	56	8	M10 x 055	49	50	60	70	2,2
80	x 120	5800	146	121	64	10	M10 x 055	49	50	60	70	2,5
90	x 130	7200	160	118	65	11	M10 x 055	49	50	60	70	2,7
100	x 145	8600	173	96	53	10	M12 x 060	69	60	70	82	4,1
110	x 155	9500	173	87	49	10	M12 x 060	69	60	70	82	4,4
120	x 165	11400	191	88	51	11	M12 x 060	69	60	70	82	4,7
130	x 180	15700	243	92	55	14	M12 x 065	69	65	79	91	6,2
140	x 190	18200	260	91	56	15	M12 x 065	69	65	79	91	6,6
150	x 200	19500	260	85	53	15	M12 x 065	69	65	79	91	7,0
160	x 210	22100	277	85	54	16	M12 x 065	69	65	79	91	7,4
170	x 225	29200	344	84	52	15	M14 x 075	108	78	92	106	10,4
180	x 235	30900	344	79	50	15	M14 x 075	108	78	92	106	11,0
190	x 250	34900	367	67	44	16	M14 x 080	108	88	102	116	14,3
200	x 260	45600	456	80	53	18	M14 x 080	108	88	102	116	15,0
220	x 285	52400	476	70	46	15	M16 x 090	168	96	108	124	19,4
240	x 305	76200	635	86	58	20	M16 x 090	168	96	108	124	21,0
260	x 325	82500	635	79	54	20	M16 x 090	168	96	108	124	22,5
280	x 355	117000	839	105	65	15	M20 x 100	369	96	110	130	28,2
300	x 375	134000	895	104	66	16	M20 x 100	369	96	110	130	30,0
320	x 405	179000	1119	97	59	20	M20 x 110	369	124	136	156	47,1
340	x 425	190000	1119	91	56	20	M20 x 110	369	124	136	156	49,7
360	x 455	250000	1389	85	58	20	M22 x 130	495	140	157	179	66,8
380	x 475	263000	1389	81	55	20	M22 x 130	495	140	157	179	70,1
400	x 495	305000	1528	84	58	22	M22 x 130	495	140	157	179	73,4
420	x 515	350000	1667	88	61	24	M22 x 130	495	140	157	179	76,7
440	x 535	366000	1667	84	59	24	M22 x 130	550	140	157	179	79,9
460	x 555	383000	1667	80	57	24	M22 x 130	550	140	157	179	83,2
480	x 575	416000	1736	80	57	25	M22 x 130	550	140	157	179	86,5
500	x 595	434000	1736	77	55	25	M22 x 130	550	140	157	179	89,8
520	x 615	505000	1945	83	60	28	M22 x 130	550	140	157	179	93,1
540	x 635	525000	1945	80	58	28	M22 x 130	550	140	157	179	96,3
560	x 655	583000	2084	82	60	30	M22 x 130	550	140	157	179	99,6
580	x 675	604000	2084	79	58	30	M22 x 130	550	140	157	179	103
600	x 695	625000	2084	77	57	30	M22 x 130	550	140	157	179	106

3015 DK



Used symbols

d	[mm]	Shaft diameter	
D	[mm]	Hub inside diameter	
M_t	[Nm]	Max. transmittable torque	$F_{ax} = 0$
F_{ax}	[kN]	Max. transmittable axial force	$M_t = 0$
p_w	[N/mm ²]	Average pressure on the shaft	
p_n	[N/mm ²]	Average pressure on the hub	
L	[mm]	Length of the sleeve	
L_1	[mm]	Width of the locking device without screws	
L_2	[mm]	Width of the locking device with screws	
Z		Number of clamping screws	
S		Size of the clamping screws	
M_A	[Nm]	Tightening torque of the clamping screws	



Pos.	Designation
1	Sleeve
2	Outer ring
3	Pressure ring 1
4	Pressure ring 2
5	Screw

Recommended tolerances & surfaces

Shaft	h8 / Rz10
Hub	H8 / Rz10

Bending loads

Bending moment (share)	$M_B \text{ max} = 0,25 * M_t$
Bending angle	max. 5°

More properties

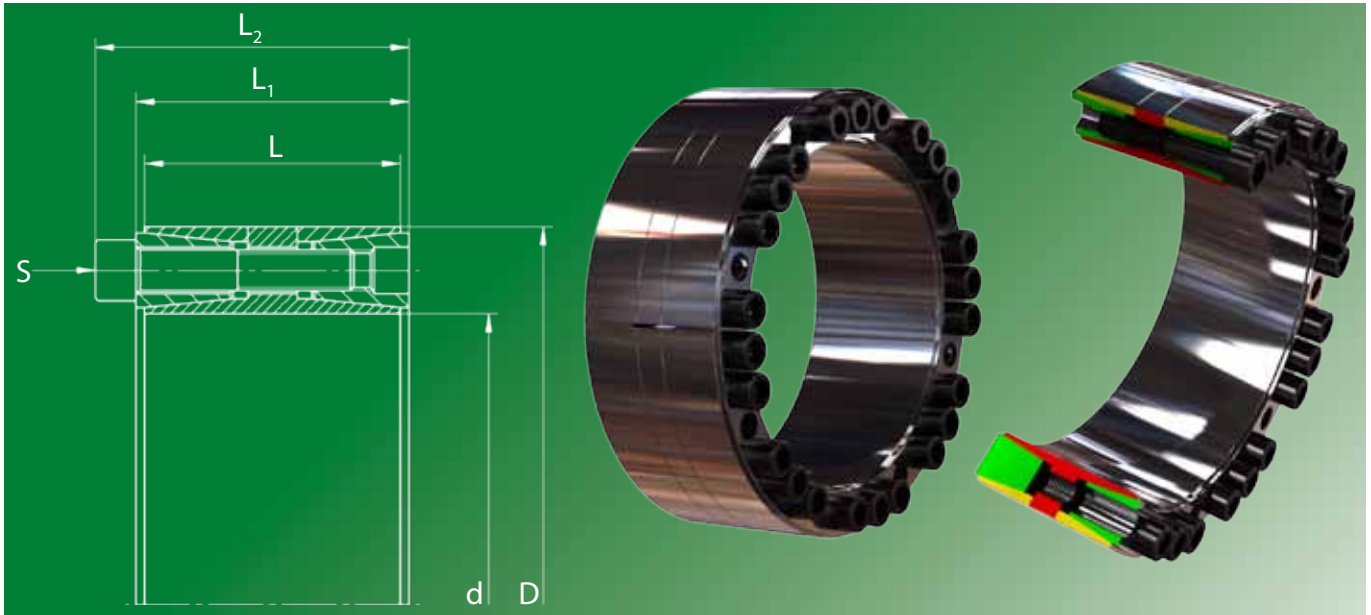
- no axial displacement during assembly
- good self-centering
- low self-locking

Ordering information: TAS 3015 DK/d/D (for example: TAS 3015 DK/150/200 ... further sizes on request)

3015 DK

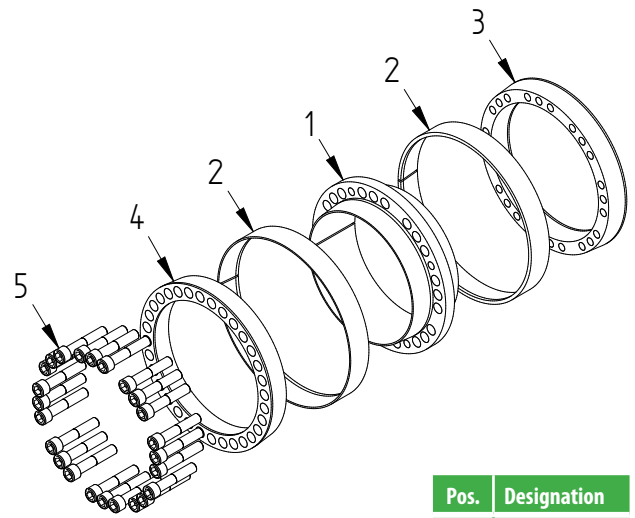
d mm	x	D mm	M_t Nm	F_{ax} kN	p_w N/mm ²	p_N N/mm ²	Z Stk	S	M_A Nm	L mm	L₁ mm	L₂ mm	Weight kg
100	x	145	15000	300	217	150	10	M12 x 055	145	60	65	77	4,1
110	x	155	16500	300	197	140	10	M12 x 055	145	60	65	77	4,4
120	x	165	21600	360	217	158	12	M12 x 055	145	60	65	77	4,8
130	x	180	29200	450	212	153	15	M12 x 060	145	68	74	86	6,5
140	x	190	37800	540	236	174	18	M12 x 060	145	68	74	86	7,0
150	x	200	40500	540	220	165	18	M12 x 060	145	68	74	86	7,4
160	x	210	48000	600	230	175	20	M12 x 060	145	68	74	86	7,8
170	x	225	61600	725	234	177	18	M14 x 065	230	75	81	95	10,0
180	x	235	65200	725	221	169	18	M14 x 065	230	75	81	95	10,6
190	x	250	76500	805	198	151	20	M14 x 075	230	88	94	108	14,3
200	x	260	96600	966	226	174	24	M14 x 075	230	88	94	108	15,0
220	x	285	109400	995	203	156	18	M16 x 090	355	98	104	120	19,8
240	x	305	159200	1326	248	195	24	M16 x 090	355	98	104	120	21,4
260	x	325	179600	1382	238	191	25	M16 x 090	355	98	104	120	23,0
280	x	355	225200	1608	208	164	24	M18 x 110	485	120	126	144	35,2
300	x	375	251300	1675	202	162	25	M18 x 110	485	120	126	144	37,4
320	x	405	344600	2153	208	164	25	M20 x 120	690	135	142	162	51,3
340	x	425	366100	2153	196	157	25	M20 x 120	690	135	142	162	54,1
360	x	455	483500	2686	198	157	25	M22 x 130	930	158	165	187	75,4
380	x	475	510400	2686	188	150	25	M22 x 130	930	158	165	187	79,0
400	x	495	537200	2686	178	144	25	M22 x 130	930	158	165	187	82,8
420	x	515	676900	3223	204	166	30	M22 x 130	930	158	165	187	86,5
440	x	545	829200	3769	207	167	30	M24 x 150	1200	172	180	204	110
460	x	565	866900	3769	198	161	30	M24 x 150	1200	172	180	204	114
480	x	585	964600	4020	202	166	32	M24 x 150	1200	172	180	204	119
500	x	605	100500	4020	194	160	32	M24 x 150	1200	172	180	204	123
520	x	630	1162900	4473	183	151	30	M27 x 160	1600	190	200	227	148
540	x	650	1207600	4473	176	146	30	M27 x 160	1600	190	200	227	154
560	x	670	1252400	4473	169	142	30	M27 x 160	1600	190	200	227	160
580	x	690	1297100	4473	164	138	30	M27 x 160	1600	190	200	227	165
600	x	710	1431300	4771	169	143	32	M27 x 160	1600	190	200	227	170
620	x	730	1478000	4771	163	139	32	M27 x 160	1600	190	200	227	175
640	x	750	1526000	4771	158	135	32	M27 x 160	1600	190	200	227	180

3015.1 DK



Used symbols

d	[mm]	Shaft diameter	
D	[mm]	Hub inside diameter	
M_t	[Nm]	Max. transmittable torque	$F_{ax} = 0$
F_{ax}	[kN]	Max. transmittable axial force	$M_t = 0$
p_w	[N/mm ²]	Average pressure on the shaft	
p_n	[N/mm ²]	Average pressure on the hub	
L	[mm]	Length of the sleeve	
L_1	[mm]	Width of the locking device without screws	
L_2	[mm]	Width of the locking device with screws	
Z		Number of clamping screws	
S		Size of the clamping screws	
M_A	[Nm]	Tightening torque of the clamping screws	



Pos.	Designation
1	Sleeve
2	Outer ring
3	Pressure ring 1
4	Pressure ring 2
5	Screw

Recommended tolerances & surfaces

Shaft	h8 / Rz10
Hub	H8 / Rz10

Bending loads

Bending moment (share)	$M_B \text{ max} = 0,35 * M_t$
Bending angle	max. 5°

More properties

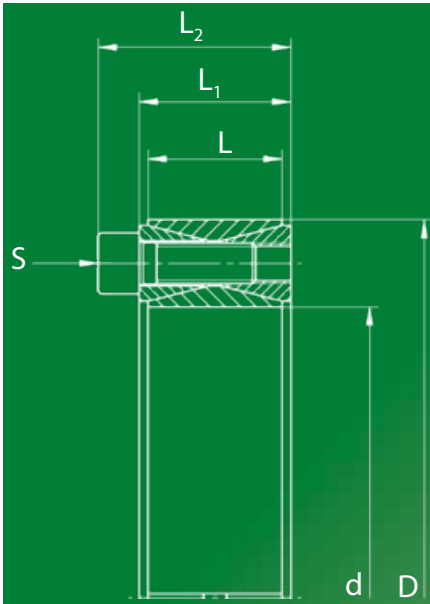
- no axial displacement during assembly
- good self-centering
- low self-locking

Ordering information: TAS 3015.1 DK/d/D (for example: TAS 3015.1 DK/150/200 plus ... further sizes on request)

3015.1 DK

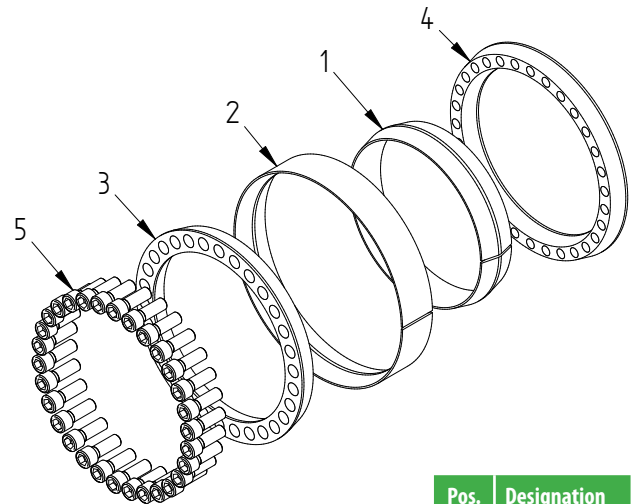
d mm	D mm	M_t Nm	F_{ax} kN	p_w N/mm ²	p_N N/mm ²	Z Stk	S	M_A Nm	L mm	L₁ mm	L₂ mm	Weight kg
100	x 145	7000	139	101	69	9	M10 x 055	83	60	65	75	4,1
110	x 155	8500	155	102	72	10	M10 x 055	83	60	65	75	4,4
120	x 165	11100	185	112	81	12	M10 x 055	83	60	65	75	4,8
130	x 180	15100	232	109	79	15	M10 x 060	83	68	74	84	6,5
140	x 190	16200	232	101	75	15	M10 x 060	83	68	74	84	7,0
150	x 200	18500	247	101	76	16	M10 x 060	83	68	74	84	7,4
160	x 210	22300	278	106	81	18	M10 x 060	83	68	74	84	7,8
170	x 225	29100	343	111	84	15	M12 x 065	145	75	81	93	10,0
180	x 235	32900	365	111	85	16	M12 x 065	145	75	81	93	10,6
190	x 250	39100	411	101	77	18	M12 x 075	145	88	94	106	14,3
200	x 260	45700	457	107	82	20	M12 x 075	145	88	94	106	15,0
220	x 285	52800	480	98	75	21	M12 x 080	145	98	104	116	19,8
240	x 305	65800	548	102	81	24	M12 x 080	145	98	104	116	21,4
260	x 325	80200	617	106	85	27	M12 x 080	145	98	104	116	23,0
280	x 355	120200	858	111	87	28	M14 x 100	230	120	126	140	35,2
300	x 375	128700	858	104	83	28	M14 x 100	230	120	126	140	37,4
320	x 405	188500	1178	114	90	28	M16 x 110	355	135	142	158	51,3
340	x 425	200300	1178	107	86	28	M16 x 110	355	135	142	158	54,1
360	x 455	220400	1225	90	71	24	M18 x 140	485	158	165	183	75,4
380	x 475	261800	1378	96	77	27	M18 x 140	485	158	165	183	79,0
400	x 495	326600	1633	108	87	32	M18 x 140	485	158	165	183	82,8
420	x 515	342900	1633	103	84	32	M18 x 140	485	158	165	183	86,5
440	x 545	389600	1771	97	78	27	M20 x 140	690	172	180	200	110
460	x 565	407300	1771	93	76	27	M20 x 140	690	172	180	200	114
480	x 585	472200	1968	99	81	30	M20 x 140	690	172	180	200	119
500	x 605	491900	1968	95	78	30	M20 x 140	690	172	180	200	123
520	x 630	545700	2099	86	71	32	M20 x 150	690	190	200	220	148
540	x 650	566700	2099	83	69	32	M20 x 150	690	190	200	220	154
560	x 670	661100	2361	90	75	36	M20 x 150	690	190	200	220	160
580	x 690	684700	2361	86	73	36	M20 x 150	690	190	200	220	165
600	x 710	708300	2361	84	71	36	M20 x 150	690	190	200	220	170
620	x 730	731900	2361	81	69	36	M20 x 150	690	190	200	220	175
640	x 750	755500	2361	78	67	36	M20 x 150	690	190	200	220	180

3020



Used symbols

d	[mm]	Shaft diameter	
D	[mm]	Hub inside diameter	
M_t	[Nm]	Max. transmittable torque	$F_{ax} = 0$
F_{ax}	[kN]	Max. transmittable axial force	$M_t = 0$
p_w	[N/mm ²]	Average pressure on the shaft	
p_N	[N/mm ²]	Average pressure on the hub	
L	[mm]	Length of the sleeve inside and outside	
L_1	[mm]	Width of the locking device without screws	
L_2	[mm]	Width of the locking device with screws	
Z		Number of clamping screws	
S		Size of the clamping screws	
M_A	[Nm]	Tightening torque of the clamping screws	



Pos.	Designation
1	Sleeve inside
2	Sleeve outside
3	Pressure ring 1
4	Pressure ring 2
5	Screw

Recommended tolerances & surfaces

Shaft	von h11 bis k11 / Rz10
Hub	von H11 bis N11 / Rz10

Bending loads

Bending moment (share) depending on hub
Bending angle max. 2°

More properties

- no axial displacement during assembly
- no self-centering
- no self-locking

Ordering information: TAS 3020/d/D (for example: TAS 3020/150/200 ... further sizes on request)

3020

d mm	D mm	M_t Nm	F_{ax} kN	P_w N/mm ²	P_N N/mm ²	Z Stk	S	M_A Nm	L mm	L₁ mm	L₂ mm	Weight kg
17	x 47	266	31	291	105	8	M6 x 018	17	17	20	27,5	0,23
18	x 47	282	31	275	105	8	M6 x 018	17	17	20	27,5	0,23
19	x 47	298	31	260	105	8	M6 x 018	17	17	20	27,5	0,23
20	x 47	313	31	247	105	8	M6 x 018	17	17	20	27,5	0,23
22	x 47	345	31	225	105	8	M6 x 018	17	17	20	27,5	0,23
24	x 50	424	35	206	99	9	M6 x 018	17	17	20	27,5	0,26
25	x 50	441	35	198	99	9	M6 x 018	17	17	20	27,5	0,25
28	x 55	549	39	265	135	10	M6 x 018	17	17	20	27,5	0,30
30	x 55	588	39	247	135	10	M6 x 018	17	17	20	27,5	0,29
32	x 60	752	47	232	124	12	M6 x 018	17	17	20	27,5	0,32
35	x 60	822	47	212	124	12	M6 x 018	17	17	20	27,5	0,32
38	x 65	1042	55	244	143	14	M6 x 018	15	17	20	27,5	0,34
40	x 65	1097	55	232	143	14	M6 x 018	17	17	20	27,5	0,34
42	x 75	1740	83	278	156	12	M8 x 022	41	20	24	33,5	0,57
45	x 75	1864	83	259	156	12	M8 x 022	41	20	24	33,5	0,57
48	x 80	1988	83	243	146	12	M8 x 022	41	20	24	33,5	0,60
50	x 80	2071	83	233	146	12	M8 x 022	41	20	24	33,5	0,60
55	x 85	2658	97	265	172	14	M8 x 022	41	20	24	33,5	0,63
60	x 90	2900	97	243	162	14	M8 x 022	41	20	24	33,5	0,69
65	x 95	3587	110	224	153	16	M8 x 022	41	20	24	33,5	0,73
70	x 110	5345	153	286	182	14	M10 x 025	83	24	28	39,5	1,26
75	x 115	5727	153	267	174	14	M10 x 025	83	24	28	39,5	1,33
80	x 120	6108	153	250	167	14	M10 x 025	83	24	28	39,5	1,40
85	x 125	7417	175	236	160	16	M10 x 025	83	24	28	39,5	1,49
90	x 130	7854	175	223	154	16	M10 x 025	83	24	28	39,5	1,53
95	x 135	9326	196	253	178	18	M10 x 025	83	24	28	39,5	1,62
100	x 145	11362	227	273	189	14	M12 x 030	145	26	33	47	2,01
110	x 155	12498	227	248	176	14	M12 x 030	145	26	33	47	2,15
120	x 165	15578	260	243	177	16	M12 x 030	145	26	33	47	2,35
130	x 180	21095	325	214	155	20	M12 x 035	145	34	38	52	3,51
140	x 190	24993	357	219	161	22	M12 x 035	145	34	38	52	3,85
150	x 200	29217	390	223	167	24	M12 x 035	145	34	38	52	4,07
160	x 210	33756	422	226	173	26	M12 x 035	145	34	38	52	4,03
170	x 225	39483	465	217	164	22	M14 x 040	230	38	44	60	5,78
180	x 235	45606	507	223	171	24	M14 x 040	230	38	44	60	6,05
190	x 250	56163	591	204	155	28	M14 x 045	230	46	52	68	8,25
200	x 260	63342	633	207	159	30	M14 x 045	230	46	52	68	8,65
220	x 285	81960	745	206	159	26	M16 x 050	355	50	56	74	11,22
240	x 305	103162	860	218	172	30	M16 x 050	355	50	56	74	12,20
260	x 325	126669	974	228	183	34	M16 x 050	355	50	56	74	13,20
280	x 355	157339	1124	202	159	32	M18 x 060	485	60	66	86,5	19,20
300	x 375	189653	1264	212	169	36	M18 x 060	485	60	66	86,5	20,50
320	x 405	264108	1651	213	168	36	M20 x 070	690	72	78	100,5	29,60

3020

d mm	D mm	M_t Nm	F_{ax} kN	P_w N/mm ²	P_N N/mm ²	Z Stk	S	M_A Nm	L mm	L₁ mm	L₂ mm	Weight kg
340	x 425	280614	1651	200	160	36	M20 x 070	690	72	78	100,5	31,10
360	x 455	363061	2017	202	160	36	M22 x 080	930	84	90	116	42,20
380	x 475	383232	2017	191	153	36	M22 x 080	930	84	90	116	44,00
400	x 495	403402	2017	182	147	36	M22 x 080	930	84	90	116	46,00
420	x 515	537000	2559	192	157	40	M22 x 080	930	84	90	116	46,0
440	x 545	658000	2992	188	152	40	M24 x 090	1200	96	102	127	61,2
460	x 565	688000	2992	180	146	40	M24 x 090	1200	96	102	130	63,7
480	x 585	753000	3142	181	148	42	M24 x 090	1200	96	102	130	66,2
500	x 605	822000	3291	182	150	44	M24 x 090	1200	96	102	130	68,7
520	x 630	889000	3422	182	150	45	M24 x 090	1200	96	102	130	74,9
540	x 650	923000	3422	175	145	45	M24 x 090	1200	96	102	127	77,5
560	x 670	1022000	3650	180	151	48	M24 x 090	1200	96	102	130	80,1
580	x 690	1102000	3802	181	152	50	M24 x 090	1200	96	102	130	82,7
600	x 710	1140000	3802	175	148	50	M24 x 090	1200	96	102	130	85,3
620	x 730	1225000	3954	176	150	52	M24 x 090	1200	96	102	130	87,9
640	x 750	1314000	4106	177	151	54	M24 x 090	1200	96	102	130	90,5
660	x 770	1405000	4258	178	153	56	M24 x 090	1200	96	102	130	93,1
680	x 790	1447000	4258	173	149	56	M24 x 090	1200	96	102	130	95,7
700	x 810	1596000	4563	180	156	60	M24 x 090	1200	96	102	130	98,3

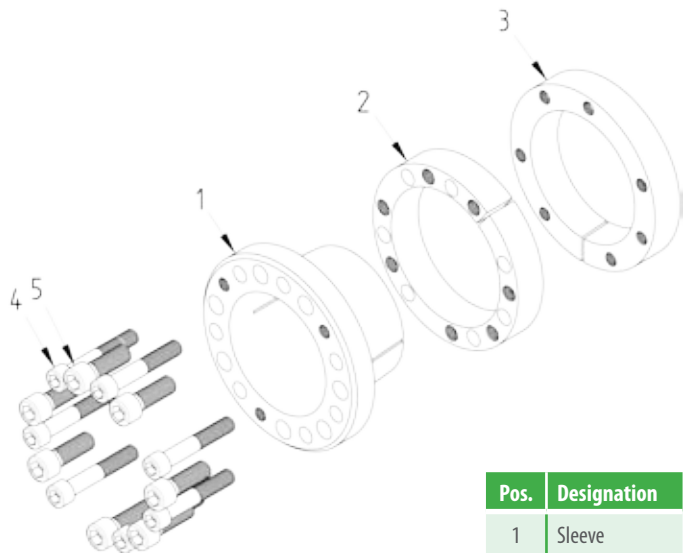


4006



Used symbols

d	[mm]	Shaft diameter
D	[mm]	Hub inside diameter
M_{t1}	[Nm]	Max. transmittable torque pressure ring 1
F_{ax1}	[kN]	Max. transmittable axial force pressure ring 1
M_{t2}	[Nm]	Max. transmittable torque pressure ring 2
F_{ax2}	[kN]	Max. transmittable axial force pressure ring 2
M_{t1+2}	[Nm]	Entire transmittable torque $F_{ax} = 0$
F_{ax1+2}	[kN]	Entire transmittable axial force $M_t = 0$
p_{W1}	[N/mm ²]	Average pressure on the shaft
p_{N1}	[N/mm ²]	Average pressure on the hub 1
p_{W2}	[N/mm ²]	Average pressure on the shaft
p_{N2}	[N/mm ²]	Average pressure on the hub 2
L	[mm]	Length of the sleeve
L_0	[mm]	Distance pressure ring 2
L_1	[mm]	Width of the locking device without screws
L_2	[mm]	Width of the locking device with screws
L_3	[mm]	Distance pressure ring 1
L_5	[mm]	Width of the pressure rings
Z_1 & Z_2		Number of clamping screws
S_1 & S_2		Size of the clamping screws
M_{A1} & M_{A2}		Tightening torque of the clamping screws



Pos.	Designation
1	Sleeve
2	Pressure ring 1
3	Pressure ring 2
4	Screw S_2
5	Screw S_1

Recommended tolerances

Shaft	h8 / Rz 10
Hub	H8 / Rz 10

Bending loads

Bending moment (share)	$M_b \max = 0,6 * M_t$
Bending angle	max. 5°

More properties

- no axial displacement during assembly
- very good self-centering
- high self-locking



4006

d	D	M _{A1}	F _{ax1}	M _{A2}	F _{ax2}	M _{A1+2}	F _{ax1+2}	P _{w1}	P _{w1}	P _{w2}	P _{w2}	Z ₁	S ₁	M _{A1}	Z ₂	S ₂	M _{A2}	L	L ₀	L ₁	L ₂	L ₃	L _s	Weight
mm	mm	Nm	kN	Nm	kN	Nm	kN	N/mm ²	N/mm ²	N/mm ²	N/mm ²	Stk	mm	Nm	Stk	Nm	mm	mm	mm	mm	mm	mm	mm	kg
30	x 60	623	42	342	23	965	64	245	124	134	67	4	M8x25	41	4	M6x40	17	45	36	48	56	18	15	0,95
35	x 65	727	42	499	29	1226	70	210	115	144	78	4	M8x25	41	5	M6x40	17	45	36	48	56	18	15	1,00
40	x 70	1039	52	570	29	1609	80	230	133	126	72	5	M8x25	41	5	M6x40	17	45	36	48	56	18	15	1,12
45	x 80	1516	67	1166	52	2682	119	221	126	170	95	4	M10x25	83	5	M8x50	41	54	42	57	67	21	18	1,47
50	x 85	2105	84	1296	52	3401	136	248	148	153	90	5	M10x25	83	5	M8x50	41	54	42	57	67	21	18	1,58
55	x 90	2316	84	1426	52	3741	136	226	140	139	85	5	M10x25	83	5	M8x50	41	54	42	57	67	21	18	1,70
60	x 95	3032	101	1866	62	4898	163	248	159	153	96	6	M10x25	83	6	M8x50	41	54	42	57	67	21	18	1,81
65	x 100	3284	101	2022	62	5306	163	229	151	141	92	6	M10x25	83	6	M8x50	41	54	42	57	67	21	18	1,93
70	x 115	5140	147	3531	101	8672	248	232	143	159	97	6	M12x35	145	6	M10x60	83	70	56	74	86	27	24	3,60
80	x 125	6854	171	4709	118	11562	289	237	154	163	104	7	M12x35	145	7	M10x60	83	70	56	74	86	27	24	4,00
90	x 135	7711	171	5297	118	13008	289	210	142	145	96	7	M12x35	145	7	M10x60	83	70	56	74	86	27	24	4,38
100	x 150	11498	230	8698	174	20195	404	235	159	177	118	7	M14x40	230	7	M12x70	145	78	61	82	96	29	26	6,00
110	x 160	12647	230	9568	174	22215	404	213	149	161	111	7	M14x40	230	7	M12x70	145	78	61	82	96	29	26	6,50
120	x 170	13797	230	10437	174	24235	404	196	140	148	104	7	M14x40	230	7	M12x70	145	78	61	82	96	29	26	6,97
130	x 190	23804	366	17342	267	41146	633	249	170	181	124	8	M16x50	355	8	M14x80	230	90	71	95	111	35	30	11,0
140	x 200	25635	366	18676	267	44311	633	231	162	169	118	8	M16x50	355	8	M14x80	230	90	71	95	111	35	30	11,6
150	x 210	27466	366	20010	267	47476	633	216	154	157	112	8	M16x50	355	8	M14x80	230	90	71	95	111	35	30	13,0
160	x 220	29297	366	21344	267	50641	633	202	147	147	107	8	M16x50	355	8	M14x80	230	90	71	95	111	35	30	12,3
180	x 250	51375	571	32959	366	84334	937	210	151	135	97	8	M20x70	690	8	M16x100	355	114	92	122	142	45	40	22,1
200	x 270	71355	714	45776	458	117131	1171	237	175	152	112	10	M20x70	690	10	M16x100	355	114	92	122	142	45	40	24,3
220	x 290	78490	714	50354	458	128844	1171	215	163	138	105	10	M20x70	690	10	M16x100	355	114	92	122	142	45	40	26,3
240	x 310	102751	856	65918	549	168669	1406	237	183	152	118	12	M20x70	690	12	M16x100	355	114	92	122	142	45	40	28,6
260	x 330	109740	844	70402	542	180143	1386	215	170	138	109	12	M20x70	690	12	M16x110	355	114	92	122	142	45	40	30,6
280	x 365	143639	1026	98485	703	242124	1729	216	166	148	114	10	M24x80	1200	10	M20x120	690	135	108	144	168	50	45	46,5
300	x 385	153899	1026	105520	703	259419	1729	202	157	138	108	10	M24x80	1200	10	M20x120	690	135	108	144	168	50	45	49,3
320	x 405	196991	1231	135065	844	332056	2075	227	179	155	123	12	M24x80	1200	12	M20x120	690	135	108	144	168	50	45	52
340	x 425	244186	1436	167425	985	411611	2421	249	199	171	137	14	M24x80	1200	14	M20x120	690	135	108	144	168	50	45	54
360	x 445	258550	1436	177273	985	435823	2421	235	190	161	130	14	M24x80	1200	14	M20x120	690	135	108	144	168	50	45	57
380	x 465	311902	1642	213853	1126	525755	2767	255	208	175	143	16	M24x80	1200	16	M20x120	690	135	108	144	168	50	45	60
400	x 485	328318	1642	225109	1126	553426	2767	242	200	166	137	16	M24x80	1200	16	M20x120	690	135	108	144	168	50	45	64
420	x 505	344734	1642	236364	1126	581098	2767	230	192	158	131	16	M24x80	1200	16	M20x120	690	135	108	144	168	50	45	66
440	x 525	361150	1642	247619	1126	608769	2767	168	141	115	96	16	M24x80	1200	16	M20x140	690	167	147	178	202	80	59	70
460	x 545	377565	1642	258875	1126	636440	2767	160	135	110	93	16	M24x80	1200	16	M20x140	690	167	147	178	202	80	59	73

4006

d	D	M _{r1}	F _{ex1}	M _{r2}	F _{ex2}	M _{r1+2}	F _{ex1+2}	P _{w1}	P _{w1}	P _{w2}	Z ₁	S ₁	M _{A1}	Z ₂	S ₂	M _{A2}	L	L ₀	L ₁	L ₂	L ₃	L _s	Weight
mm	mm	Nm	kN	Nm	kN	Nm	kN	N/mm ²	N/mm ²	N/mm ²	Stk	mm ²	Nm	Stk	Nm	Nm	mm	mm	mm	mm	mm	mm	kg
480 x	565	393981	1642	270130	1126	664112	2767	154	131	105	16	M24x80	1200	16	M20x140	690	167	147	178	202	80	59	76
500 x	585	461697	1847	316559	1266	778256	3113	166	142	114	18	M24x80	1200	18	M20x140	690	167	147	178	202	80	59	79
520 x	605	480165	1847	329221	1266	809386	3113	160	137	109	18	M24x80	1200	18	M20x140	690	167	147	178	202	80	59	82
540 x	625	498633	1847	341884	1266	840516	3113	154	133	105	18	M24x80	1200	18	M20x140	690	167	147	178	202	80	59	85
560 x	645	517101	1847	354546	1266	871647	3113	148	129	102	18	M24x80	1200	18	M20x140	690	167	147	178	202	80	59	88
580 x	665	595076	2052	408009	1407	1003085	3459	159	139	109	20	M24x80	1200	20	M20x140	690	167	147	178	202	80	59	91
600 x	685	615596	2052	422079	1407	1037675	3459	154	135	105	20	M24x80	1200	20	M20x140	690	167	147	178	202	80	59	94
620 x	705	636116	2052	436148	1407	1072264	3459	149	131	102	20	M24x80	1200	20	M20x140	690	167	147	178	202	80	59	98

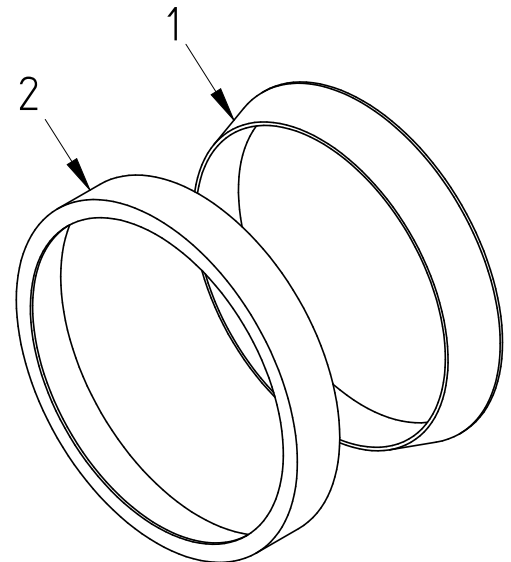


8006



Used symbols

d	[mm]	Shaft diameter
D	[mm]	Hub inside diameter
L	[mm]	Length of the locking device
l	[mm]	Width of inner ring and outer ring
A_t	[mm ²]	Contact surface of the shaft
F_o	[N]	Pretension to eliminate tolerances (for unslitted version)
F_A	[N]	Clamping force required to apply pressure of $p = 100 \text{ N/mm}^2$
T	[Nm]	Max. transmittable torque (at $p = 100 \text{ N/mm}^2$) $F_{ax} = 0$
F_{ax}	[N]	Max. transmittable axial force (at $p = 100 \text{ N/mm}^2$) $T = 0$
x	[mm]	Distance between clamping flange and hub in relation to the number of clamping elements
d_1	[mm]	inner diameter spacer bushing
D_1	[mm]	outer diameter spacer bushing



When arranging several elements, ensure that there is no mutual inhibition. !

Pos.	Designation
1	Inner ring
2	Outer ring

Recommended tolerances & surfaces

Shaft	< d 38mm h6 / > d 40mm h8 / Rz10
Hub	< d 38mm H7 / > d 40mm H8 / Rz10

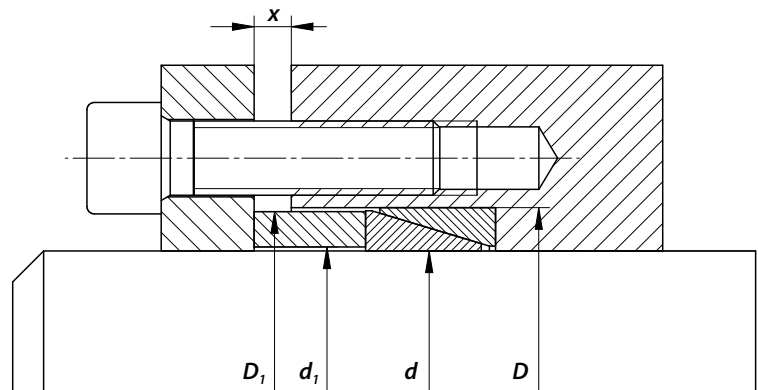
Bending loads

Bending moment (share)

Depending on hub design and number of clamping elements

More properties

- axial displacement during assembly
- good self-centering
- no self-locking



Ordering information: TAS 8006/d/D (for example: TAS 8006/150/200 ... further sizes on request)

TAS 8006/d/D slit (for example: TAS 8006/150/200 slit ... further sizes on request)

8006

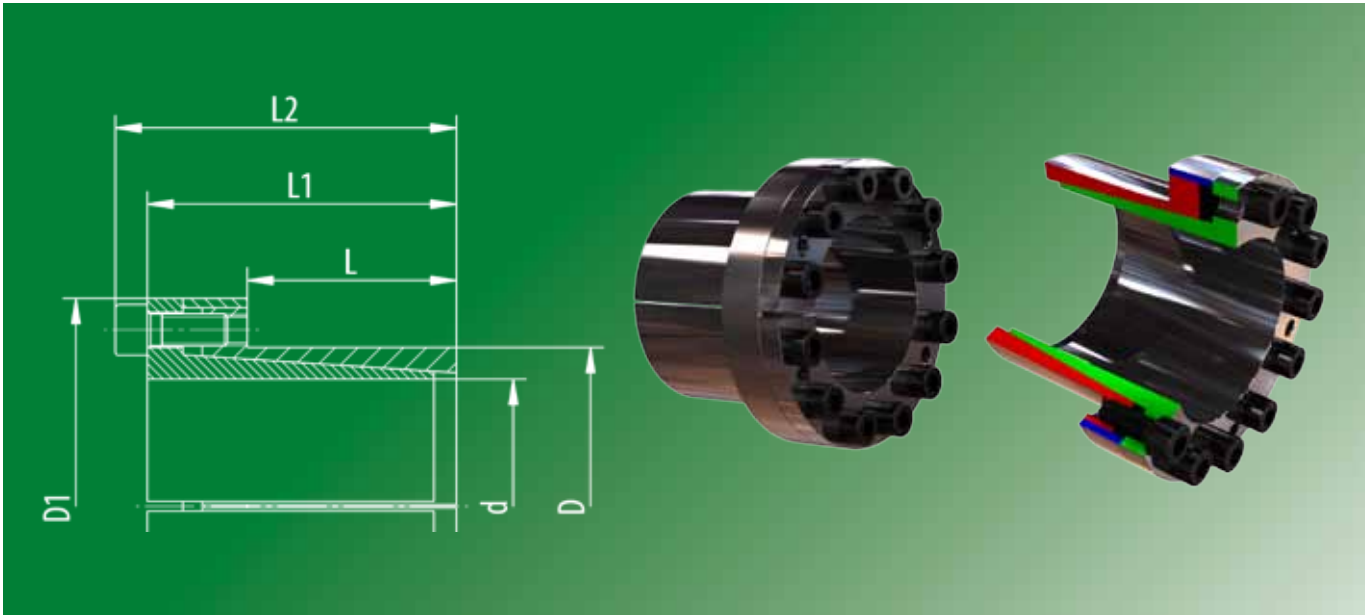
d	D	L	l	A _t	F _o	F _A	T	F _{ax}	x				Weight	d ₁	D ₁
									1	2	3	4			
mm	mm	mm	mm	mm ²	N	N	Nm	N	Locking elements mm				kg	mm	mm
6	x 9	4,5	3,7	69	-	3240	2,16	720	2	2	3	3	0,00118	6,1	8,9
7	x 10	4,5	3,7	80	-	3780	2,94	840	2	2	3	3	0,00136	7,1	9,9
8	x 11	4,5	3,7	90	-	4300	3,84	960	2	2	3	3	0,00151	8,1	10,9
9	x 12	4,5	3,7	105	7600	5700	5,7	1270	2	2	3	3	0,00166	9,1	11,9
10	x 13	4,5	3,7	116	6950	6300	7	1400	2	2	3	3	0,00182	10,1	12,9
12	x 15	4,5	3,7	139	6950	7500	10	1670	2	2	3	3	0,00214	12,1	14,9
13	x 16	4,5	3,7	151	6450	8150	11,8	1810	2	2	3	3	0,00226	13,1	15,9
14	x 18	6,3	5,3	233	11200	12600	19,6	2800	3	3	4	5	0,00487	14,1	17,9
15	x 19	6,3	5,3	250	10750	13500	22,5	3000	3	3	4	5	0,00526	15,1	18,9
16	x 20	6,3	5,3	266	10100	14400	25,5	3190	3	3	4	5	0,00545	16,1	19,9
17	x 21	6,3	5,3	283	9550	15300	28,9	3400	3	3	4	5	0,0058	17,1	20,9
18	x 22	6,3	5,3	300	9100	16200	32,4	3600	3	3	4	5	0,00612	18,1	21,9
19	x 24	6,3	5,3	316	12600	17100	36	3790	3	3	4	5	0,00782	19,2	23,8
20	x 25	6,3	5,3	333	12050	18000	40	4000	3	3	4	5	0,00817	20,2	24,8
22	x 26	6,3	5,3	366	9050	19800	48	4400	3	3	4	5	0,00724	22,2	25,8
24	x 28	6,3	5,3	400	8350	21600	58	4800	3	3	4	5	0,00792	24,2	27,8
25	x 30	6,3	5,3	416	9900	22500	62	5000	3	3	4	5	0,0101	25,2	29,8
28	x 32	6,3	5,3	466	7400	25200	78	5600	3	3	4	5	0,00918	28,2	31,8
30	x 35	6,3	5,3	499	8500	27000	90	6000	3	3	4	5	0,012	30,2	34,8
32	x 36	6,3	5,3	533	7850	28800	102	6400	3	3	4	5	0,01	32,2	35,8
35	x 40	7	6	659	10100	35600	138	7900	3	3	4	5	0,017	35,2	39,8
36	x 42	7	6	678	11600	36600	147	8200	3	3	4	5	0,02	36,2	41,8
38	x 44	7	6	716	11000	38700	163	8600	3	3	4	5	0,021	38,2	43,8
40	x 45	8	6,6	829	13800	45000	199	9950	3	4	5	6	0,023	40,2	44,8
42	x 48	8	6,6	870	15600	47000	219	10400	3	4	5	6	0,028	42,2	47,8
45	x 52	10	8,6	1215	28200	66000	328	14600	3	4	5	6	0,042	45,2	51,8
48	x 55	10	8,6	1296	24600	70000	373	15600	3	4	5	6	0,045	48,2	54,8
50	x 57	10	8,6	1350	23500	73000	405	16200	3	4	5	6	0,047	50,2	56,8
55	x 62	10	8,6	1485	21800	80000	490	17800	3	4	5	6	0,05	55,2	61,8
56	x 64	12	10,4	1829	29400	99000	615	22000	3	4	5	7	0,067	56,2	63,8
60	x 68	12	10,4	1959	27400	106000	705	23500	3	4	5	7	0,072	60,2	67,8
63	x 71	12	10,4	2057	26300	111000	780	24800	3	4	5	7	0,077	63,2	70,8
65	x 73	12	10,4	2123	25400	115000	830	25600	3	4	5	7	0,079	65,2	72,8
70	x 79	14	12,2	2682	31000	145000	1120	32000	3	5	6	7	0,111	70,3	78,7
71	x 80	14	12,2	2720	31000	147000	1160	32600	3	5	6	7	0,113	71,3	79,7
75	x 84	14	12,2	2873	34600	155000	1290	34400	3	5	6	7	0,12	75,3	83,7
80	x 91	17	15	3768	48000	203000	1810	45000	4	5	6	8	0,188	80,3	90,7
85	x 96	17	15	4004	45600	216000	2040	48000	4	5	6	8	0,2	85,3	95,7
90	x 101	17	15	4239	43400	229000	2290	51000	4	5	6	8	0,216	90,3	100,7
95	x 106	17	15	4475	41200	242000	2550	54000	4	5	6	8	0,224	95,3	105,7
100	x 114	21	18,7	5872	60700	317000	3520	70000	4	6	7	9	0,38	100,3	113,7
110	x 124	21	18,7	6459	66000	349000	4250	77000	4	6	7	9	0,41	110,3	123,7
120	x 134	21	18,7	7046	60200	380000	5050	84000	4	6	7	9	0,452	120,3	133,7
130	x 148	28	25,3	10328	96200	558000	8050	124000	5	7	9	11	0,847	130,3	147,6

8006

<i>d</i>	<i>D</i>	<i>L</i>	<i>l</i>	<i>A_t</i>	<i>F_o</i>	<i>F_A</i>	<i>T</i>	<i>F_{ax}</i>	<i>x</i>				<i>Weight</i>	<i>d₁</i>	<i>D₁</i>
									1	2	3	4			
mm	mm	mm	mm	mm ²	N	N	Nm	N	Locking elements mm				kg	mm	mm
140	x 158	28	25,3	11122	89000	600000	9350	134000	5	7	9	11	0,91	140,3	157,6
150	x 168	28	25,3	11916	84500	643000	10700	143000	5	7	9	11	0,967	150,4	167,6
160	x 178	28	25,3	12711	78500	686000	12200	152500	5	7	9	11	1,023	160,4	177,6
170	x 191	33	30	16014	117500	865000	16300	192000	6	8	10	12	1,5	170,4	190,5
180	x 201	33	30	16956	111200	916000	18300	204000	6	8	10	12	1,58	180,5	200,5
190	x 211	33	30	17898	105000	966000	20400	214000	6	8	10	12	1,68	190,5	210,5
200	x 224	38	34,8	21854	134000	1180000	26200	262000	6	8	11	13	2,32	200,6	223,4
210	x 234	38	34,8	22947	127000	1239000	28900	275000	6	8	11	13	2,45	210,6	233,4
220	x 244	38	34,8	24040	122000	1298000	31700	288000	6	8	11	13	2,49	220,6	243,4
230	x 257	43	39,5	28527	165000	1540000	39400	342000	6	9	12	14	3,38	230,6	256,4
240	x 267	43	39,5	29767	157500	1610000	43000	358000	6	9	12	14	3,52	240,6	266,4
250	x 280	48	44	34700	190000	1870000	52000	415000	7	10	13	16	4,68	250,8	279,2
260	x 290	48	44	36100	182000	1950000	56500	435000	7	10	13	16	4,82	260,8	289,2
270	x 300	48	44	37500	177000	2030000	61000	450000	7	10	13	16	4,94	270,8	299,2
280	x 313	53	49	43100	206000	2330000	72500	520000	7	10	14	17	6,27	280,8	312,2
290	x 323	53	49	44600	222000	2410000	77500	535000	7	11	14	17	6,5	290,8	332,2
300	x 333	53	49	46200	214000	2490000	83000	555000	7	11	14	17	6,74	300,8	322,2
320	x 360	65	59	59300	292000	3200000	114000	710000	10	15	20	25	10,9	321	359
340	x 380	65	59	63000	272000	3400000	128500	755000	10	15	20	25	11,5	341	379
360	x 400	65	59	66700	258000	3600000	144000	800000	10	15	20	25	12,2	361	399
380	x 420	65	59	70400	269000	3800000	160500	845000	10	15	20	25	12,8	381	419
400	x 440	65	59	74200	256000	4000000	178000	890000	10	15	20	25	13,5	401	439
420	x 460	65	59	77800	244000	4200000	196000	935000	10	15	20	25	14,1	421	459
440	x 480	65	59	81500	234000	4400000	215000	980000	10	15	20	25	14,7	441	479
460	x 500	65	59	85300	224000	4600000	235000	1020000	10	15	20	25	15,4	461	499
480	x 520	65	59	89000	239000	4800000	256000	1070000	10	15	20	25	16	481	519
500	x 540	65	59	92700	229000	5000000	278000	1110000	10	15	20	25	16,6	501	539

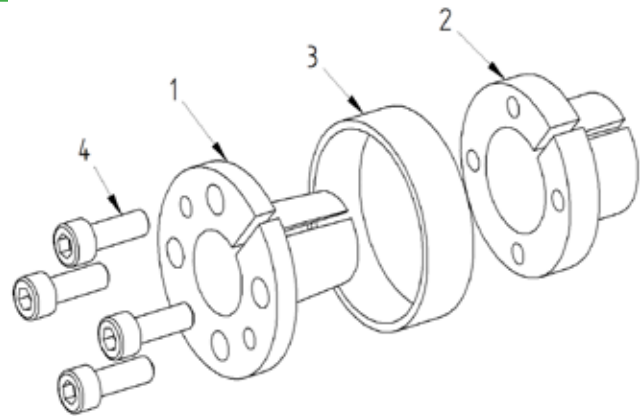


TAS 110



Used symbols

d	[mm]	Shaft diameter	
D	[mm]	Hub inside diameter	
D_1	[mm]	Diameter of the bush	
M_t	[Nm]	Max. transmittable torque	$F_{ax} = 0$
F_{ax}	[kN]	Max. transmittable axial force	$M_t = 0$
p_w	[N/mm ²]	Average pressure on the shaft	
p_N	[N/mm ²]	Average pressure on the hub	
L	[mm]	Length clamping surface of the hub	
L_1	[mm]	Width of the locking device without screws	
L_2	[mm]	Width of the locking device with screws	
Z		Number of clamping screws	
S		Size of the clamping screws	
M_A	[Nm]	Tightening torque of the clamping screws	



Pos.	Benennung
1	Sleeve
2	Sleeve
3	Outer ring
4	Screw

Recommended tolerances & surfaces

Shaft	h8 / Rz10
Hub	H8 / Rz10

Bending loads

Bending moment (share)	$M_B \max = 0,25 * M_t$
Bending angle	max. 3°

More properties

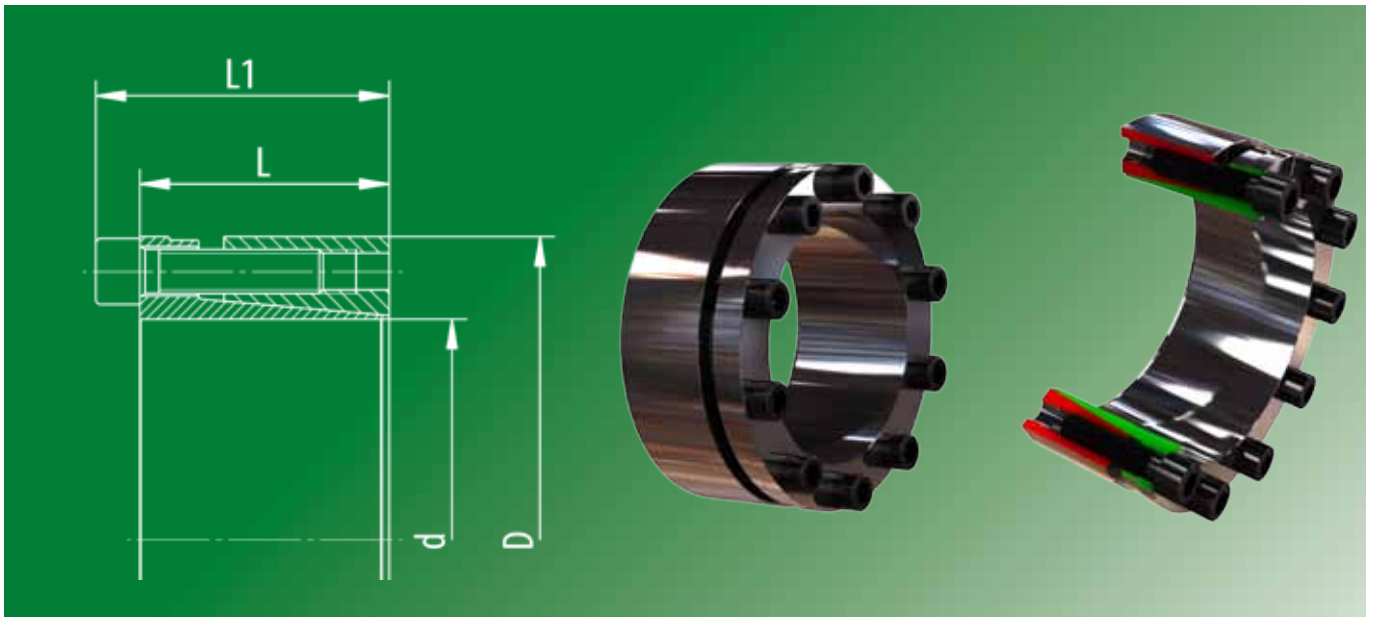
- no axial displacement during assembly
- good self-centering
- high self-locking

Ordering information: TAS 110/d/D (for example: TAS 110/ 10/16 ... further sizes on request)

TAS 110

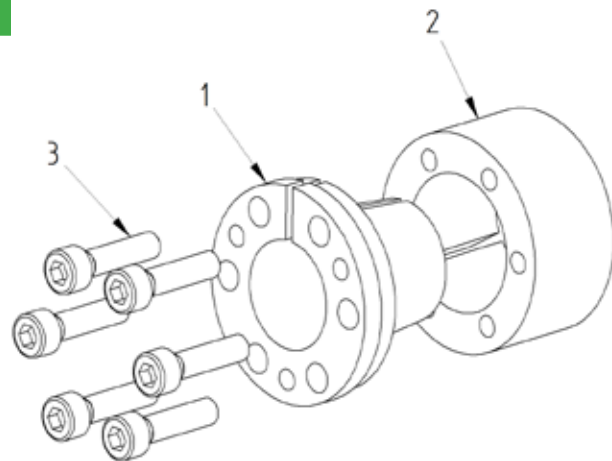
<i>d</i> mm		<i>D</i> mm	<i>D</i> ₁ mm	<i>M</i> _t Nm	<i>F</i> _{ax} kN	<i>p</i> _w N/mm ²	<i>p</i> _N N/mm ²	<i>Z</i> Stk	<i>S</i>	<i>M</i> _A Nm	<i>L</i> mm	<i>L</i> ₁ mm	<i>L</i> ₂ mm	weight kg
6	x	14	25	11	3,8	158	68	4	M 3 x 10	2,6	10	21,5	24,5	0,04
8	x	15	27	26	6,5	185	98	3	M 4 x 10	5,6	11,5	25	29	0,06
9	x	16	28	37	8	174	98	4	M 4 x 10	5,6	14	26	30	0,06
9,525	x	16	29	39	8	165	98	4	M 4 x 10	5,6	14	26	30	0,06
10	x	16	29	42	8	158	98	4	M 4 x 10	5,6	14	26	30	0,06
11	x	18	32	50	9	167	100	4	M 4 x 10	5,6	13,5	26	30	0,07
12	x	18	32	55	9	151	100	4	M 4 x 10	5,6	13,5	26	30	0,07
14	x	23	38	100	14	197	120	6	M 4 x 10	5,6	14	26	30	0,11
15	x	24	44	145	19	209	130	4	M 6 x 18	15	16	36	42	0,22
16	x	24	44	155	19	196	130	4	M 6 x 18	15	16	36	42	0,22
17	x	25	45	162	19	185	125	4	M 6 x 18	15	16	36	42	0,22
17	x	26	47	180	23	185	122	4	M 6 x 18	17	18	38	44	0,23
18	x	26	47	200	23	177	120	4	M 6 x 18	17	18	38	44	0,23
19	x	27	48	210	23	170	120	4	M 6 x 18	17	18	38	44	0,24
20	x	28	49	220	23	166	120	4	M 6 x 18	17	18	38	44	0,25
22	x	32	54	250	23	104	70	4	M 6 x 18	17	25	45	51	0,33
24	x	34	56	270	23	99	70	4	M 6 x 18	17	25	45	51	0,35
25	x	34	56	280	23	95	70	4	M 6 x 18	17	25	45	51	0,34
28	x	39	61	480	34	127	90	6	M 6 x 18	17	25	45	51	0,42
30	x	41	62	510	34	116	84	6	M 6 x 18	17	25	45	51	0,43
32	x	43	65	730	46	154	115	8	M 6 x 18	17	25	45	51	0,50
35	x	47	69	800	46	111	81	8	M 6 x 18	17	30	50	56	0,55
38	x	50	72	860	46	102	76	8	M 6 x 18	17	30	50	56	0,60
40	x	53	75	900	46	96	72	8	M 6 x 18	17	30	50	56	0,65
42	x	55	78	1800	84	165	125	8	M 8 x 22	41	32	57	65	0,85
45	x	59	85	1900	84	118	89	8	M 8 x 22	41	40	65	73	1,10
48	x	62	87	2000	84	99	75	8	M 8 x 22	41	45	70	78	1,10
50	x	65	92	2600	105	118	90	10	M 8 x 22	41	45	70	78	1,30
55	x	71	98	2900	105	94	70	10	M 8 x 22	41	50	75	83	1,50
60	x	77	104	3100	105	90	70	10	M 8 x 22	41	50	75	83	1,70
65	x	84	111	3400	105	79	60	10	M 8 x 22	41	50	75	83	2,00
70	x	90	119	5800	170	103	80	10	M 10 x 25	83	60	91	101	2,80
75	x	95	126	6200	170	91	70	10	M 10 x 25	83	60	91	101	3,00
80	x	100	131	8000	200	100	80	12	M 10 x 25	83	65	96	106	3,30
85	x	106	137	8500	200	89	70	12	M 10 x 25	83	65	96	106	3,60
90	x	112	143	11200	250	112	90	15	M 10 x 25	83	65	96	106	3,90
95	x	120	153	11800	250	102	80	15	M 10 x 25	83	65	96	106	4,60
100	x	125	162	14600	300	120	95	12	M 12 x 30	145	65	102	114	5,50
110	x	140	180	16000	300	77	61	12	M 12 x 30	145	90	128	140	8,30
120	x	155	198	17400	300	72	55	12	M 12 x 30	145	90	128	140	10,30
130	x	165	208	25000	389	87	69	16	M 12 x 30	145	90	128	140	10,60

TAS 130



Used symbols

d	[mm]	Shaft diameter	
D	[mm]	Hub inside diameter	
M_t	[Nm]	Max. transmittable torque	$F_{ax} = 0$
F_{ax}	[kN]	Max. transmittable axial force	$M_t = 0$
p_w	[N/mm ²]	Average pressure on the shaft	
p_h	[N/mm ²]	Average pressure on the hub	
L	[mm]	Width of the locking device without screws	
L_1	[mm]	Width of the locking device with screws	
Z		Number of clamping screws	
S		Size of the clamping screws	
M_A	[Nm]	Tightening torque of the clamping screws	



Pos.	Benennung
1	Sleeve
2	Pressure ring
3	Screw

Recommended tolerances & surfaces

Shaft	h8 / Rz10
Hub	H8 / Rz10

Bending loads

Bending moment (share)	$M_B \text{ max} = 0,35 * M_t$
Bending angle	max. 5°

More properties

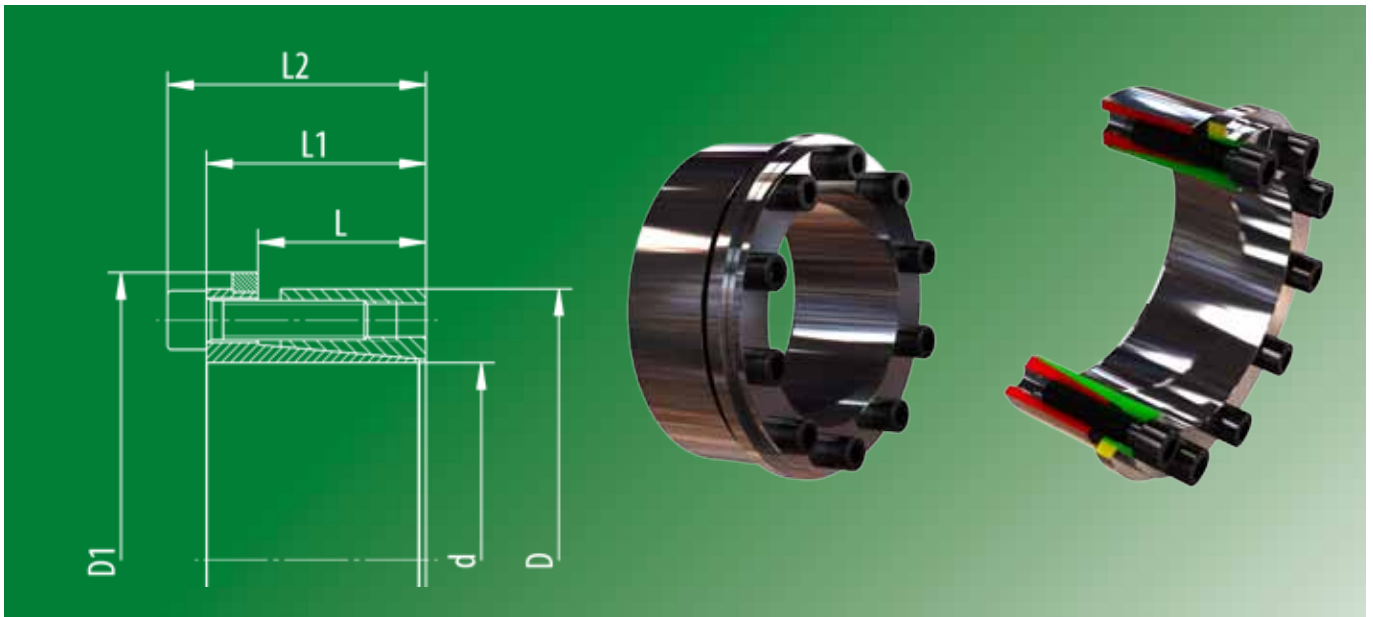
- low axial displacement during assembly
- good self-centering
- high self-locking

Ordering information: TAS 130/d/D (for example: TAS 130/20/47 ... further sizes on request)

TAS 130

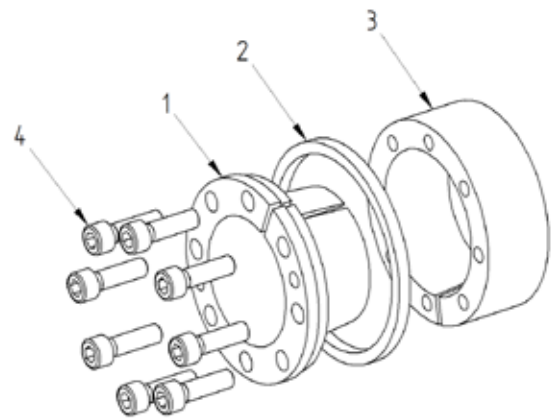
d mm	D mm	M_t Nm	F_{ax} kN	p_w N/mm ²	p_N N/mm ²	Z Stk	S	M_A Nm	L mm	L₁ mm	Weight kg
20	x 47	530	52	264	110	6	M 6 x 25	17	42	48	0,41
22	x 47	580	52	239	110	6	M 6 x 25	17	42	48	0,38
24	x 50	630	52	217	100	6	M 6 x 25	17	42	48	0,42
25	x 50	660	52	208	100	6	M 6 x 25	17	42	48	0,41
28	x 55	740	52	194	100	6	M 6 x 25	17	42	48	0,50
30	x 55	790	70	182	100	6	M 6 x 25	17	42	48	0,47
32	x 60	1150	70	226	120	8	M 6 x 25	17	42	48	0,56
35	x 60	1300	70	209	120	8	M 6 x 25	17	42	48	0,53
38	x 65	1300	70	188	110	8	M 6 x 25	17	42	48	0,62
40	x 65	1400	70	180	110	8	M 6 x 25	17	42	48	0,57
42	x 75	2000	100	209	120	6	M 8 x 30	41	51	59	1,01
45	x 75	2200	100	197	120	6	M 8 x 30	41	51	59	0,98
48	x 80	3200	130	249	150	8	M 8 x 30	41	51	59	1,09
50	x 80	3300	130	239	150	8	M 8 x 30	41	51	59	1,07
55	x 85	3600	130	215	140	8	M 8 x 30	41	51	59	1,15
60	x 90	3900	130	194	130	8	M 8 x 30	41	51	59	1,23
65	x 95	4300	130	177	120	8	M 8 x 30	41	51	59	1,32
70	x 110	7500	210	203	130	8	M 10 x 30	83	61	71	2,18
75	x 115	8000	210	196	130	8	M 10 x 30	83	61	71	2,30
80	x 120	8500	210	179	120	8	M 10 x 30	83	61	71	2,44
85	x 125	11400	270	217	150	10	M 10 x 30	83	61	71	2,55
90	x 130	12000	270	201	140	10	M 10 x 30	83	61	71	2,67
95	x 135	12600	280	190	135	10	M 10 x 30	83	61	71	2,80
100	x 145	15000	300	185	130	8	M 12 x 35	145	68	80	3,90
110	x 155	16500	300	167	120	8	M 12 x 35	145	68	80	4,20
120	x 165	22500	370	190	140	10	M 12 x 35	145	68	80	4,50
130	x 180	29000	450	206	150	12	M 12 x 35	145	68	80	5,50
140	x 190	32000	460	175	130	10	M 14 x 40	210	76	90	6,60
150	x 200	41000	550	198	150	12	M 14 x 40	210	76	90	6,90
160	x 210	44000	550	183	140	12	M 14 x 40	210	76	90	7,40
170	x 225	54500	640	210	160	14	M 14 x 40	210	76	90	8,60
180	x 235	57500	640	190	150	14	M 14 x 40	210	76	90	9,10
190	x 250	65000	689	191	146	15	M 14 x 40	210	76	90	10,60
200	x 260	68000	689	183	141	15	M 14 x 40	210	76	90	11,20
220	x 285	82000	747	141	109	12	M 16 x 50	325	98	114	17,70

TAS 131



Used symbols

d	[mm]	Shaft diameter	
D	[mm]	Hub inside diameter	
M_t	[Nm]	Max. transmittable torque	$F_{ax} = 0$
F_{ax}	[kN]	Max. transmittable axial force	$M_t = 0$
p_w	[N/mm ²]	Average pressure on the shaft	
p_n	[N/mm ²]	Average pressure on the hub	
L	[mm]	Distance of the pressure ring	
L_1	[mm]	Width of the locking device without screws	
L_2	[mm]	Width of the locking device with screws	
Z		Number of clamping screws	
S		Size of the clamping screws	
M_A	[Nm]	Tightening torque of the clamping screws	



Pos.	Benennung
1	Sleeve
2	Distance ring
3	Pressure ring
4	Screw

Recommended tolerances & surfaces

Shaft	h8 / Rz10
Hub	H8 / Rz10

Bending loads

Bending moment (share)	$M_B \text{ max} = 0,35 * M_t$
Bending angle	max. 5°

More properties

- no axial displacement during assembly
- good self-centering
- high self-locking

Ordering information: TAS 131/d/D (for example: TAS 131/20/47 ... further sizes on request)

TAS 131

<i>d</i> mm		<i>D</i> mm	<i>D</i> ₁ mm	<i>M</i> _t Nm	<i>F</i> _{ax} kN	<i>p</i> _w N/mm ²	<i>p</i> _N N/mm ²	<i>Z</i> Stk	<i>S</i>	<i>M</i> _A Nm	<i>L</i> mm	<i>L</i> ₁ mm	<i>L</i> ₂ mm	<i>Weight</i> kg
20	x	47	53	320	33	170	70	6	M 6 x 25	17	31	42	48	0,42
22	x	47	53	360	33	153	70	6	M 6 x 25	17	31	42	48	0,39
24	x	50	56	390	33	144	70	6	M 6 x 25	17	31	42	48	0,43
25	x	50	56	400	33	138	70	6	M 6 x 25	17	31	42	48	0,42
28	x	55	61	450	33	120	60	6	M 6 x 25	17	31	42	48	0,51
30	x	55	61	490	33	112	60	6	M 6 x 25	17	31	42	48	0,48
32	x	60	66	690	43	136	70	8	M 6 x 25	17	31	42	48	0,57
35	x	60	66	750	43	124	70	8	M 6 x 25	17	31	42	48	0,54
38	x	65	71	820	43	120	70	8	M 6 x 25	17	31	42	48	0,63
40	x	65	71	860	43	113	70	8	M 6 x 25	17	31	42	48	0,58
42	x	75	81	1300	60	126	70	6	M 8 x 30	41	35	51	59	1,02
45	x	75	81	1400	60	118	70	6	M 8 x 30	41	35	51	59	0,99
48	x	80	86	1900	80	150	90	8	M 8 x 30	41	35	51	59	1,10
50	x	80	86	2000	80	144	90	8	M 8 x 30	41	35	51	59	1,08
55	x	85	91	2200	80	136	90	8	M 8 x 30	41	35	51	59	1,16
60	x	90	96	2400	80	120	80	8	M 8 x 30	41	35	51	59	1,24
65	x	95	101	2600	80	105	70	8	M 8 x 30	41	35	51	59	1,33
70	x	110	119	4600	130	126	80	8	M 10 x 30	83	46	61	71	2,29
75	x	115	124	5000	130	120	80	8	M 10 x 30	83	46	61	71	2,41
80	x	120	129	5200	130	107	70	8	M 10 x 30	83	46	61	71	2,56
85	x	125	134	7000	170	132	90	10	M 10 x 30	83	46	61	71	2,67
90	x	130	139	7400	170	117	80	10	M 10 x 30	83	46	61	71	2,80
95	x	135	144	7800	170	114	80	10	M 10 x 30	83	46	61	71	2,93
100	x	145	155	9800	190	115	80	8	M 12 x 35	145	52	68	80	4,10
110	x	155	165	10700	190	101	70	8	M 12 x 35	145	52	68	80	4,40
120	x	165	175	14600	240	122	90	10	M 12 x 35	145	52	68	80	4,72
130	x	180	188	19000	300	137	100	12	M 12 x 35	145	52	68	80	5,74
140	x	190	199	23000	330	123	90	10	M 14 x 40	230	58	76	90	6,92
150	x	200	209	30000	400	136	100	12	M 14 x 40	230	58	76	90	7,24
160	x	210	219	32000	400	132	100	12	M 14 x 40	230	58	76	90	7,76
170	x	225	234	39000	460	145	110	14	M 14 x 40	230	58	76	90	8,98
180	x	235	244	41000	460	133	100	14	M 14 x 40	230	58	76	90	9,50
190	x	250	259	46400	488	137	104	15	M 14 x 40	230	58	76	90	11,10
200	x	260	269	48800	488	131	100	15	M 14 x 40	230	58	76	90	11,70
220	x	285	294	59900	544	103	79	12	M 16 x 50	360	72	98	114	18,30

Special design

For the following product features, please send us a separate request:

Other dimensions

Stainless steel designs

Split versions (e.g. TAS 3020 in very large-sized)

Galvanized or nickel plated surfaces

Countersunk screws

Reduced surface pressure

...

Further products from our company

Shrink disc in two-part design



TAS 3173



TAS 3171, 3181, 3191, 3193

Shrink disc in three-part design



TAS 3073



TAS 3051, 3071, 3081, 3091, 3093



Geteilt



Halb-G



Halb-D

shaft couplings



TAS W



TAS WK



TAS WLA



TAS WLB



TAS AFS

Flange couplings



TAS FK



TAS FKB



TAS FKBS

Hydraulic products from our company

Hydraulic actuated shrink discs



TAS SHS

Hydraulic actuated flange coupling



TAS FKH

Hydraulic actuated shaft coupling



TAS WHS



**DISTRIBUIDOR
AUTORIZADO**

MEX (55) 53 63 23 31
QRO (442) 1 95 72 60

MTY (81) 83 54 10 18
ventas@industrialmagza.com

TAS
SCHÄFER

TAS Schäfer GmbH

Osterfeldstraße 75

58300 Wetter (Ruhr)

Phone: +49 (0) 2335 9781-0

FAX: +49 (0) 2335 72956

E-Mail: info@tas-schaefer.de

Internet: www.tas-schaefer.de